

# ES441 Advanced Fluid Dynamics Support Class 1 - Basics

16th October 2015      Jorge Lindley      email: J.V.M.Lindley@warwick.ac.uk

Website: [http://www2.warwick.ac.uk/fac/sci/masdoc/people/studentpages/students2012/lindley/fluid\\_dynamics/](http://www2.warwick.ac.uk/fac/sci/masdoc/people/studentpages/students2012/lindley/fluid_dynamics/)

---

## 1 Incompressible Navier-Stokes

The majority of this course will focus on the incompressible Navier-Stokes equations.

$$\underbrace{\frac{\partial \mathbf{u}}{\partial t}}_{\text{Time derivative}} + \underbrace{(\mathbf{u} \cdot \nabla) \mathbf{u}}_{\text{Advection}} = - \underbrace{\frac{1}{\rho} \nabla p}_{\text{Pressure gradient}} + \underbrace{\nu \Delta \mathbf{u}}_{\text{Viscosity}} + \underbrace{\mathbf{f}}_{\text{Forcing}} \quad (1)$$

$$\nabla \cdot \mathbf{u} = 0 \quad (\text{Incompressibility Condition}) \quad (2)$$

- The pressure gradient term will accelerate the flow in the direction from high pressure areas to low pressure.
- The viscosity term arises due to the stress the fluid exerts on itself. This term will dampen motion, a low viscosity will behave like water whereas a high viscosity will cause the fluid to behave like syrup. The condition (2) comes from the fact that density  $\rho$  is constant in the conservation of mass equation:

$$\frac{\partial \rho}{\partial t} + \nabla \cdot (\rho \mathbf{u}) = 0 \quad (3)$$

- The forcing term includes any external forcing such as gravity/buoyancy.
- The advection term describes the bulk movement of the fluid.

Working in 3D with  $\mathbf{u} = (u_x, u_y, u_z) = (u, v, w)$  and some quantity of interest  $f$  (eg. density or a component of velocity) this advection term is written as

$$\begin{aligned} (\mathbf{u} \cdot \nabla) \mathbf{f} &= [(u_x, u_y, u_z) \cdot (\partial_x, \partial_y, \partial_z)](f_x, f_y, f_z) \\ &= (u_x \partial_x + u_y \partial_y + u_z \partial_z)(f_x, f_y, f_z) \end{aligned}$$

Here is a derivation of the advection term (from Acheson §1.2):  $\frac{\partial f}{\partial t}$  is the rate of change of  $f$  at a fixed point  $(x, y, z)$  in space. Now the time derivative following the fluid (material derivative) is

$$\frac{D}{Dt} f = \frac{d}{dt} f(x(t), y(t), z(t), t). \quad (4)$$

We have

$$\frac{dx}{dt} = u, \quad \frac{dy}{dt} = v, \quad \frac{dz}{dt} = w. \quad (5)$$

Using the chain rule we get

$$\begin{aligned} \frac{Df}{Dt} &= \frac{\partial f}{\partial x} \frac{dx}{dt} + \frac{\partial f}{\partial y} \frac{dy}{dt} + \frac{\partial f}{\partial z} \frac{dz}{dt} + \frac{\partial f}{\partial t} \\ &= \frac{\partial f}{\partial t} + u \frac{\partial f}{\partial x} + v \frac{\partial f}{\partial y} + w \frac{\partial f}{\partial z} \\ &= \frac{\partial f}{\partial t} + (\mathbf{u} \cdot \nabla) f \end{aligned}$$

## 2 Streamlines and Streamfunctions

Find the streamlines of a flow by solving

$$\frac{1}{u} \frac{dx}{ds} = \frac{1}{v} \frac{dy}{ds} = \frac{1}{w} \frac{dz}{ds}, \quad (6)$$

where the streamline is parameterised by  $s$ . For an incompressible ( $\nabla \cdot \mathbf{u} = 0$ ), 2D ( $\mathbf{u} = (u, v, 0)$ ) flow we can find a *streamfunction*  $\psi$  such that

$$u = \frac{\partial \psi}{\partial y}, v = -\frac{\partial \psi}{\partial x}. \quad (7)$$

In polar coordinates this is,

$$u_r = \frac{1}{r} \frac{\partial \psi}{\partial \theta}, u_\theta = -\frac{\partial \psi}{\partial r}, \quad (8)$$

where  $\mathbf{u} = (u_r, u_\theta, u_z)$ . *Streamlines* are when the stream function  $\psi$  is constant, ie. level set of the streamfunction.

**Example 1.** (*Acheson Exercise 1.8*) Consider the unsteady flow

$$u = u_0, v = kt, w = 0, \quad (9)$$

where  $u_0, k$  are positive constants. Show that the streamlines are straight lines. Also show any fluid particle follows a parabolic path as time proceeds.

We can find the streamlines by integrating

$$\frac{1}{u_0} \frac{dx}{ds} = \frac{1}{kt} \frac{dy}{ds}, 0 = \frac{dz}{ds} \quad (10)$$

to get

$$y = \frac{kt}{u_0} x + \text{const}, z = \text{const}. \quad (11)$$

Alternatively, since this is a 2D flow, we may use the streamfunction found by solving:

$$u_0 = \frac{\partial \psi}{\partial y}, kt = -\frac{\partial \psi}{\partial x}, \quad (12)$$

to get  $\psi = u_0 y - ktx$ . Now the streamlines are when the streamfunction is constant ( $\psi = \text{const}$ ) giving the streamlines as in equation (11), which are straight lines with gradient  $\frac{kt}{u_0}$ . The particle paths may be found by solving

$$\left. \frac{\partial x}{\partial t} \right|_{\mathbf{X}} = u_0, \left. \frac{\partial y}{\partial t} \right|_{\mathbf{X}} = kt, \left. \frac{\partial z}{\partial t} \right|_{\mathbf{X}} = 0, \quad (13)$$

where  $\mathbf{X} = (X, Y, Z)$  are the Lagrangian coordinates. This gives

$$x = u_0 t + F_1(\mathbf{X}), y = \frac{1}{2} kt^2 + F_2(\mathbf{X}), z = F_3(\mathbf{X}), \quad (14)$$

for some functions  $F_1, F_2, F_3$ . We then use the fact that the Eulerian (fixed in space) and Lagrangian (follow fluid) coordinates coincide at  $t = 0$ , ie.  $\mathbf{x} = \mathbf{X}$ , to get

$$x = u_0 t + X, y = \frac{1}{2} kt^2 + Y, z = Z. \quad (15)$$

Eliminating  $t$  gives,

$$y = \frac{1}{2} k \left( \frac{x - X}{u_0} \right)^2 + Y. \quad (16)$$

Hence the particle paths are parabolic. Notice that equation (15) gives the transformation from Lagrangian coordinates to Eulerian coordinates  $\mathbf{x} = \varphi(\mathbf{X}, t)$ .

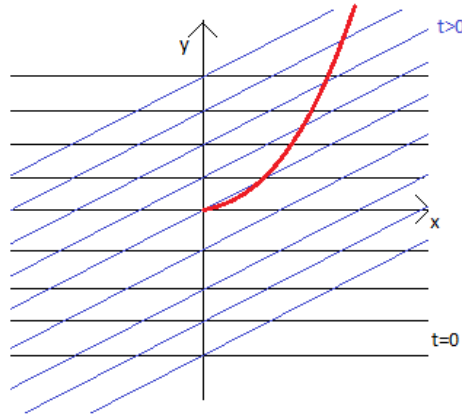


Figure 1: Streamlines are straight lines for this flow. The red line indicates the path of a particle originating from the origin.

**Example 2.** Find the streamlines of the 2D flow

$$u = \frac{y}{x^2 + y^2}, v = -\frac{x}{x^2 + y^2}. \quad (17)$$

For a 2D flow the streamfunction is found by solving,

$$u = \frac{\partial \psi}{\partial y}, v = -\frac{\partial \psi}{\partial x}, \quad (18)$$

which gives  $\psi = \frac{1}{2} \log(x^2 + y^2)$ . Streamlines are then when this function is constant, that is  $x^2 + y^2 = \text{const}$ , i.e. streamlines are circles.

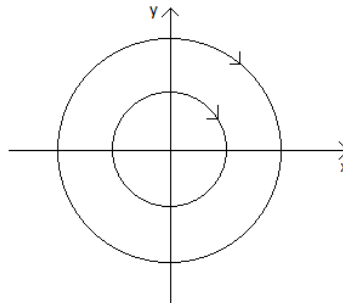


Figure 2: Streamlines are circles (clockwise) for this flow.

### 3 Vorticity

Vorticity in 3D is defined as

$$\boldsymbol{\omega} = \nabla \times \mathbf{u} = \left( \frac{\partial u_z}{\partial y} - \frac{\partial u_y}{\partial z}, \frac{\partial u_x}{\partial z} - \frac{\partial u_z}{\partial x}, \frac{\partial u_y}{\partial x} - \frac{\partial u_x}{\partial y} \right). \quad (19)$$

In polar coordinates the vorticity is

$$\boldsymbol{\omega} = \frac{1}{r} \begin{vmatrix} \mathbf{e}_r & r\mathbf{e}_\theta & \mathbf{e}_z \\ \partial_r & \partial_\theta & \partial_z \\ u_r & ru_\theta & u_z \end{vmatrix}. \quad (20)$$

If  $\boldsymbol{\omega} = 0$  then the flow is *irrotational*.

For a 2D flow  $\mathbf{u} = (u(x, y, t), v(x, y, t), 0)$  the vorticity is  $\boldsymbol{\omega} = (0, 0, \omega)$  where

$$\omega = \frac{\partial v}{\partial x} - \frac{\partial u}{\partial y} \quad (21)$$

Vorticity is a measure of local rotation of fluid elements.

**Example 3.** (Acheson §1.4) Consider the flow  $\mathbf{u} = (\beta y, 0, 0)$ . The vorticity is  $\omega = -\beta$ , and as seen in Figure 3 even though there is no global rotation, the fluid elements can be locally rotated.

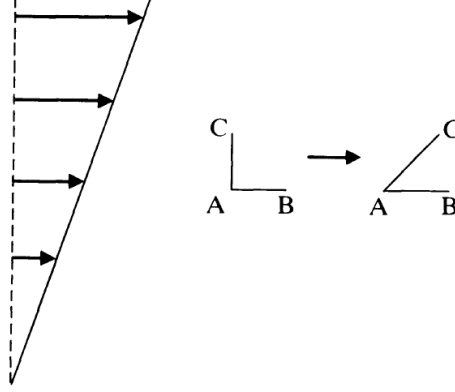


Figure 3: Deformation of two momentarily perpendicular fluid line elements in a shear flow.

## 4 Velocity Potential

An irrotational flow can be written as the gradient of a potential  $\mathbf{u} = \nabla\phi$ , where  $\phi$  is a scalar function called the *velocity potential*. The gradient operator in polar coordinates is  $(\frac{\partial}{\partial r}, \frac{1}{r}\frac{\partial}{\partial\theta}, \frac{\partial}{\partial z}) = \frac{\partial}{\partial r}\mathbf{e}_r + \frac{1}{r}\frac{\partial}{\partial\theta}\mathbf{e}_\theta + \frac{\partial}{\partial z}\mathbf{e}_z$ .

**Example 4.** (Point Vortex)

$$\mathbf{u} = \frac{\Gamma}{2\pi r}\mathbf{e}_\theta \quad (22)$$

We can find the velocity potential by integrating

$$u_\theta = \frac{1}{r}\frac{\partial\phi}{\partial\theta} \Rightarrow \phi = \frac{\Gamma\theta}{2\pi}. \quad (23)$$

Similarly the streamfunction is found by integrating

$$u_\theta = -\frac{\partial\psi}{\partial r} \Rightarrow \psi = -\frac{\Gamma}{2\pi}\log(r). \quad (24)$$

## 5 Bernoulli's equation for unsteady flow

Consider Euler's equation

$$\frac{\partial\mathbf{u}}{\partial t} + (\nabla \times \mathbf{u}) \times \mathbf{u} = -\nabla\left(\frac{p}{\rho} + \frac{1}{2}\mathbf{u}^2 + \chi\right). \quad (25)$$

If the flow is irrotational ( $\nabla \times \mathbf{u} = 0$ ) so that  $\mathbf{u} = \nabla\phi$  then

$$\frac{\partial\nabla\phi}{\partial t} = -\nabla\left(\frac{p}{\rho} + \frac{1}{2}\mathbf{u}^2 + \chi\right) \text{ where } \chi = gz.$$

Then integrate this to get

$$\partial_t\phi + \frac{p}{\rho} + \frac{1}{2}\mathbf{u}^2 + \chi = G(t)$$

where  $G(t)$  is an arbitrary function of time. Bernoulli's equation can be used to find exact solutions.