

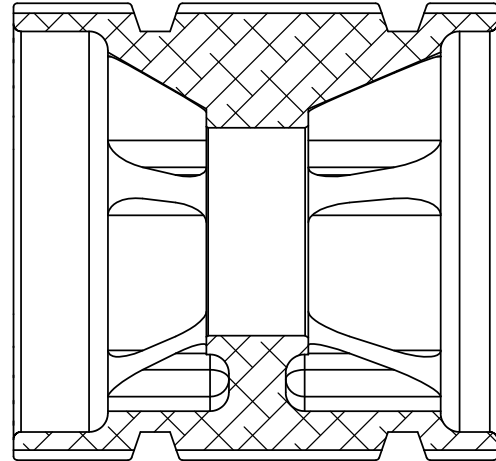
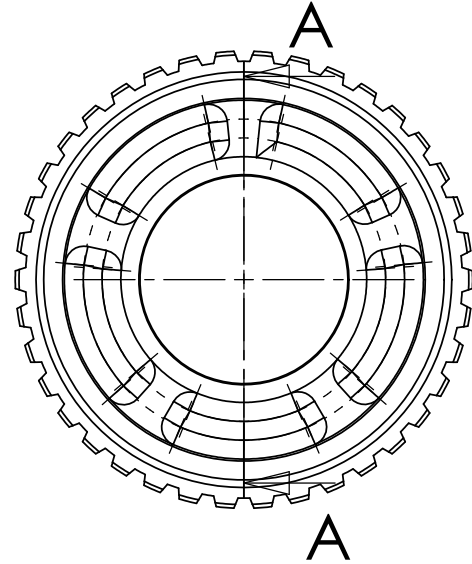
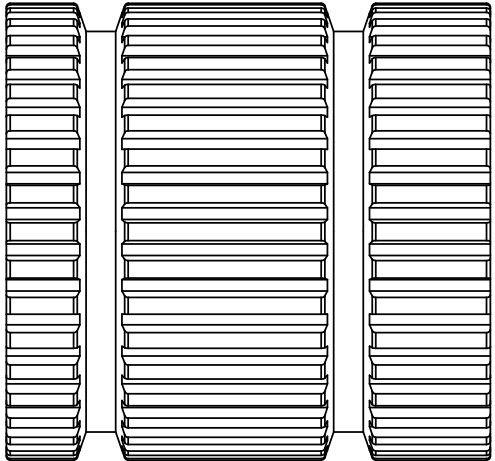
DEBUR AND BREAK SHARP EDGES	DO NOT SCALE DRAWING	REVISION
	8 OFF	
TITLE: Flipper Belt Support 200mm		
MATERIAL: Aluminium 6082		DWG NO. A4
WEIGHT:		SCALE:1:1 SHEET 1 OF 1

	NAME	SIGNATURE	DATE
DRAWN	R. Sanders		31/1/08
CHK'D			
APPV'D			
MFG			
Q.A			

1 2 3 4 5 6

A

A



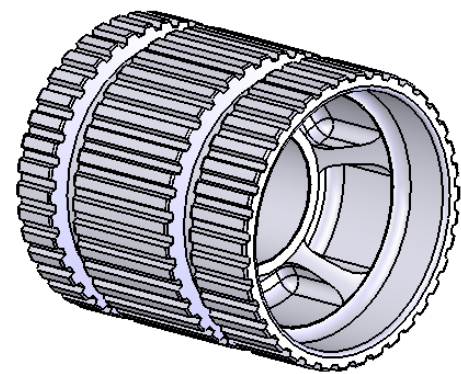
SECTION A-A

B

B

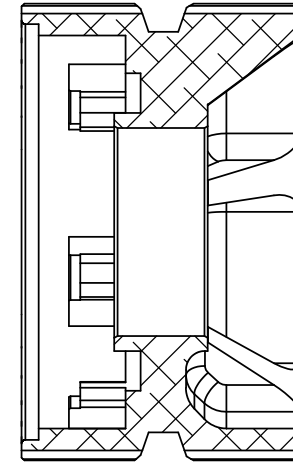
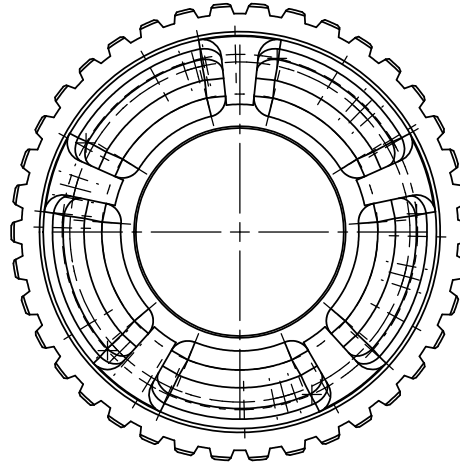
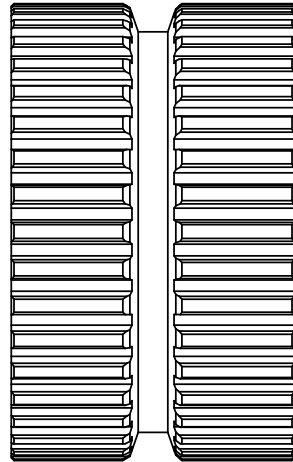
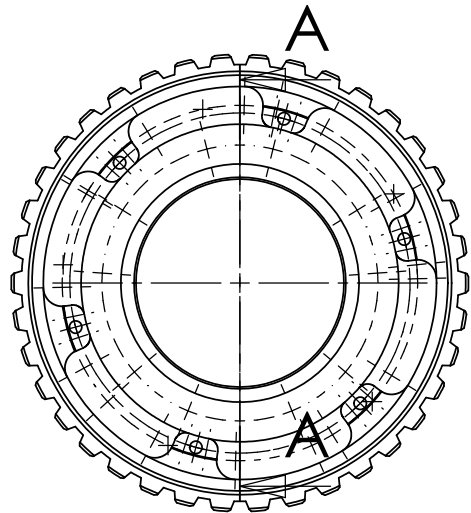
C

C

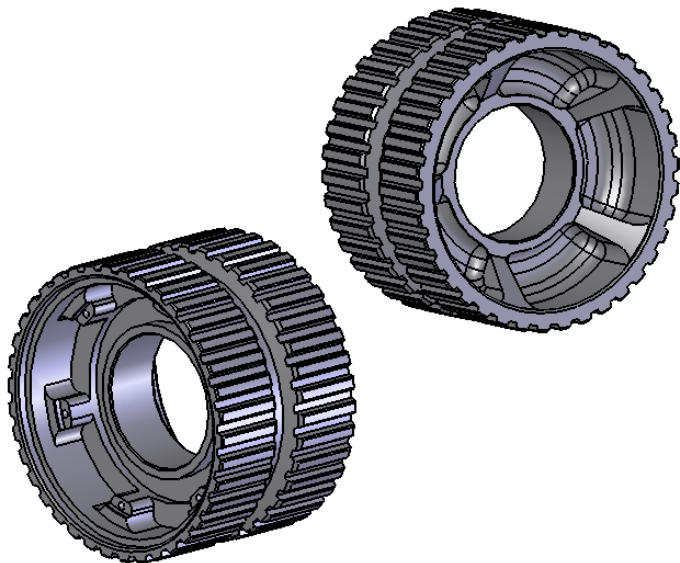


D

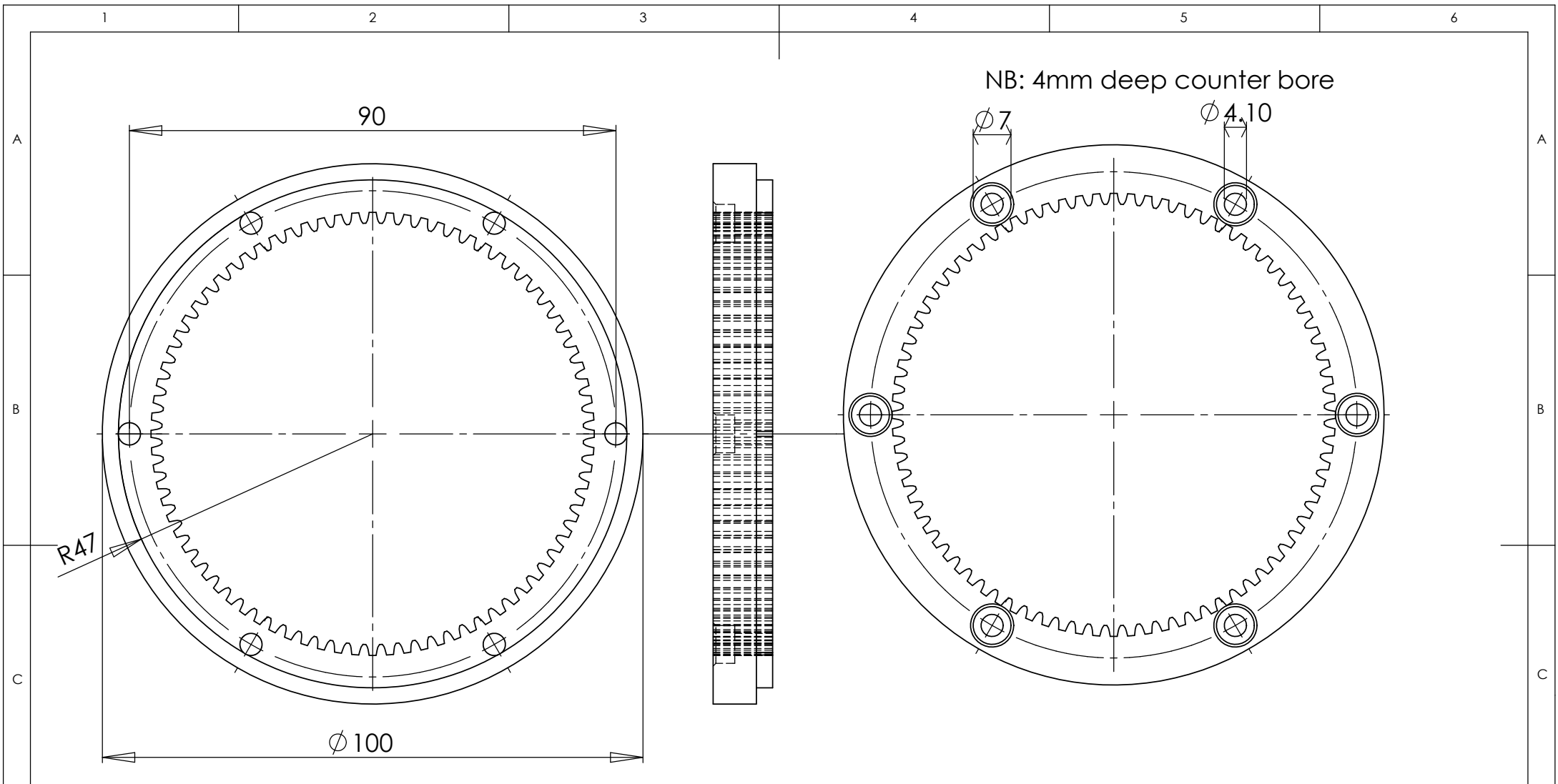
UNLESS OTHERWISE SPECIFIED: DIMENSIONS ARE IN MILLIMETERS SURFACE FINISH: TOLERANCES: LINEAR: ANGULAR:				FINISH: Machined		DEBUR AND BREAK SHARP EDGES		DO NOT SCALE DRAWING		REVISION	
	NAME	SIGNATURE	DATE			TITLE:					
DRAWN	A.J. Smith		10.01.08								
CHK'D											
APPV'D											
MFG											
Q.A					MATERIAL: 6082 Aluminium	DWG NO. 38T Compound				A4	
					WEIGHT:	SCALE:1:2				SHEET 1 OF 1	



SECTION A-A



UNLESS OTHERWISE SPECIFIED: DIMENSIONS ARE IN MILLIMETERS SURFACE FINISH: TOLERANCES: LINEAR: ANGULAR:				FINISH: Machined		DEBUR AND BREAK SHARP EDGES		DO NOT SCALE DRAWING		REVISION	
	NAME	SIGNATURE	DATE			TITLE:					
DRAWN	A.J. Smith		10.01.08								
CHK'D											
APPV'D											
MFG											
Q.A					MATERIAL: 6082 Aluminium	DWG NO.		38T Driven			A4
					WEIGHT:	SCALE:1:2		SHEET 1 OF 1			



NB: 4mm deep counter bore

90

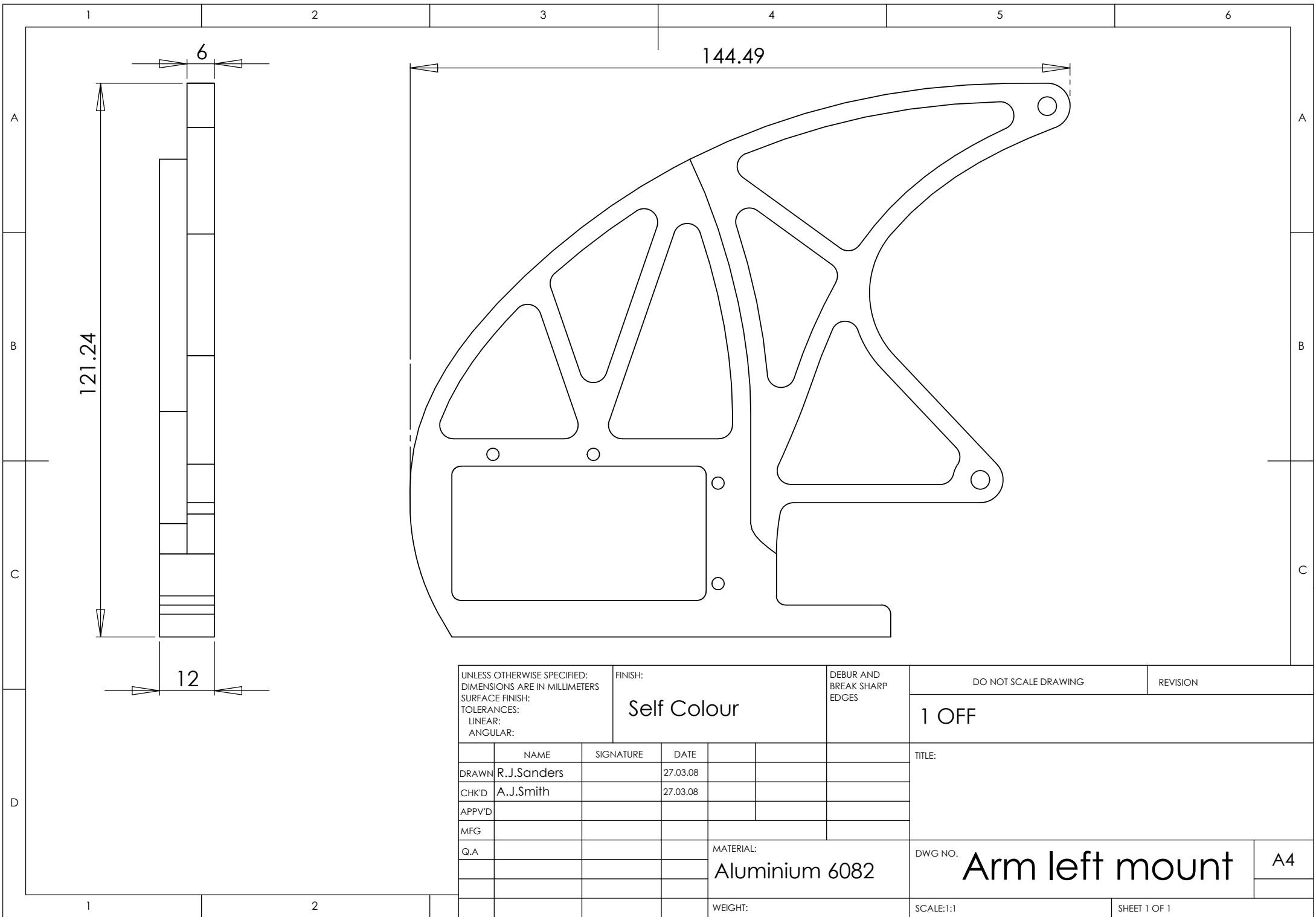
∅7

∅4.10

R47

∅100

UNLESS OTHERWISE SPECIFIED: DIMENSIONS ARE IN MILLIMETERS SURFACE FINISH: TOLERANCES: LINEAR: ANGULAR:				FINISH:		DEBUR AND BREAK SHARP EDGES		DO NOT SCALE DRAWING		REVISION	
	NAME	SIGNATURE	DATE			TITLE:					
DRAWN											
CHK'D											
APPV'D											
MFG											
Q.A											
					MATERIAL: Steel	DWG NO. Annulus 100mm 80teeth					
					WEIGHT:	SCALE:1:1				SHEET 1 OF 1	



121.24

6

144.49

12

UNLESS OTHERWISE SPECIFIED:
 DIMENSIONS ARE IN MILLIMETERS
 SURFACE FINISH:
 TOLERANCES:
 LINEAR:
 ANGULAR:

FINISH:
Self Colour

DEBUR AND
 BREAK SHARP
 EDGES

DO NOT SCALE DRAWING

REVISION

1 OFF

	NAME	SIGNATURE	DATE		
DRAWN	R.J.Sanders		27.03.08		
CHK'D	A.J.Smith		27.03.08		
APPV'D					
MFG					
Q.A					
				MATERIAL:	
				Aluminium 6082	
				WEIGHT:	

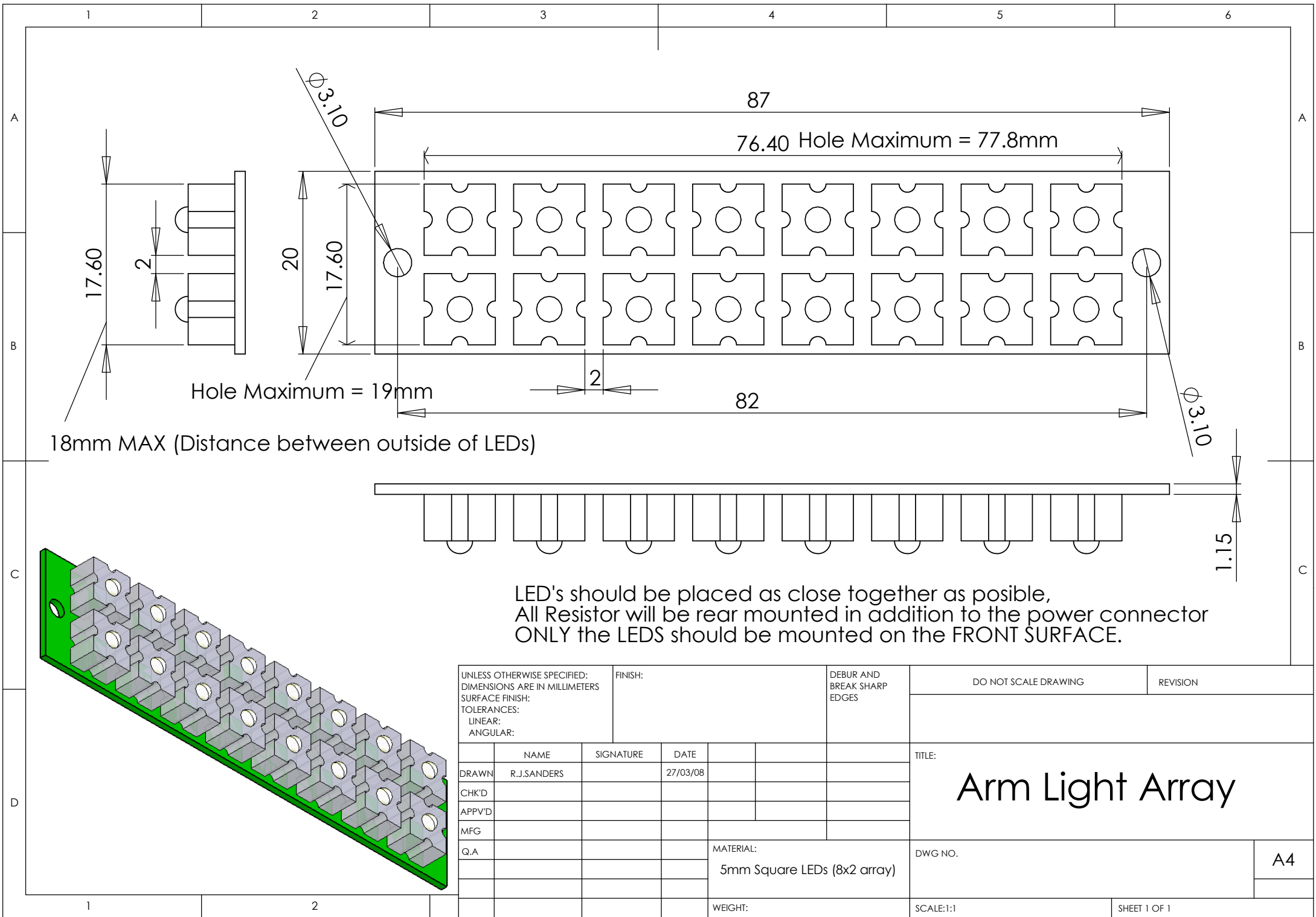
TITLE:

DWG NO. **Arm left mount**

A4

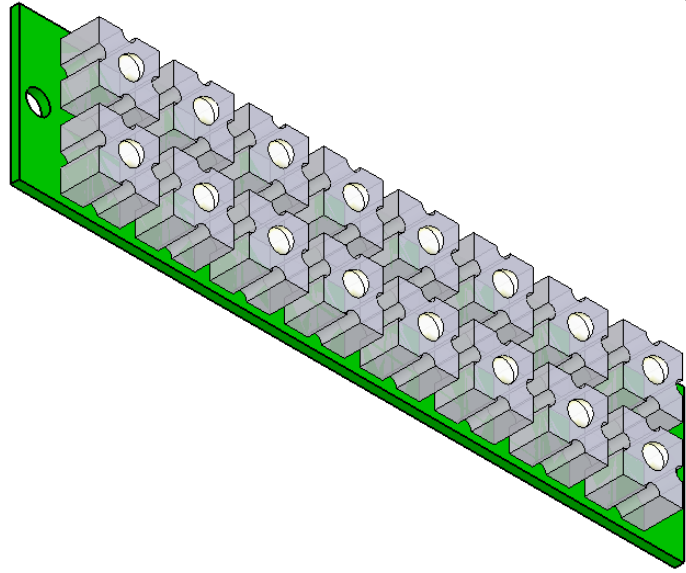
SCALE:1:1

SHEET 1 OF 1

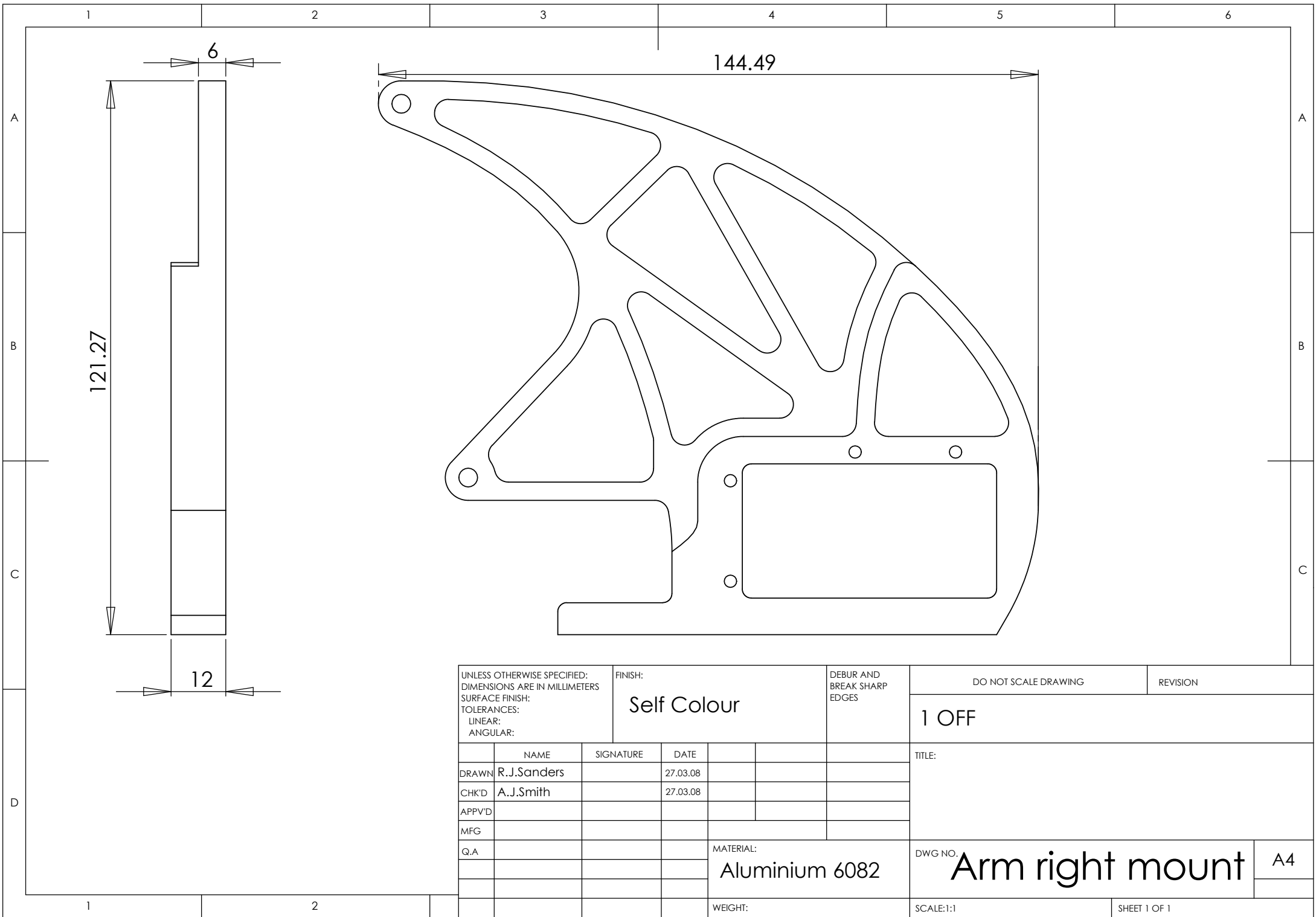


18mm MAX (Distance between outside of LEDs)

LED's should be placed as close together as possible,
 All Resistor will be rear mounted in addition to the power connector
 ONLY the LEDS should be mounted on the FRONT SURFACE.



UNLESS OTHERWISE SPECIFIED: DIMENSIONS ARE IN MILLIMETERS SURFACE FINISH: TOLERANCES: LINEAR: ANGULAR:				FINISH:		DEBUR AND BREAK SHARP EDGES		DO NOT SCALE DRAWING		REVISION			
								<p style="text-align: center; font-size: 24px; margin: 0;">Arm Light Array</p>					
		NAME		SIGNATURE		DATE						TITLE:	
DRAWN		R.J.SANDERS				27/03/08							
CHK'D													
APPV'D													
MFG								MATERIAL:		DWG NO.			
Q.A								5mm Square LEDs (8x2 array)					
								WEIGHT:		SCALE:1:1			
										SHEET 1 OF 1			
										A4			



121.27

144.49

6

12

UNLESS OTHERWISE SPECIFIED:
 DIMENSIONS ARE IN MILLIMETERS
 SURFACE FINISH:
 TOLERANCES:
 LINEAR:
 ANGULAR:

FINISH:
Self Colour

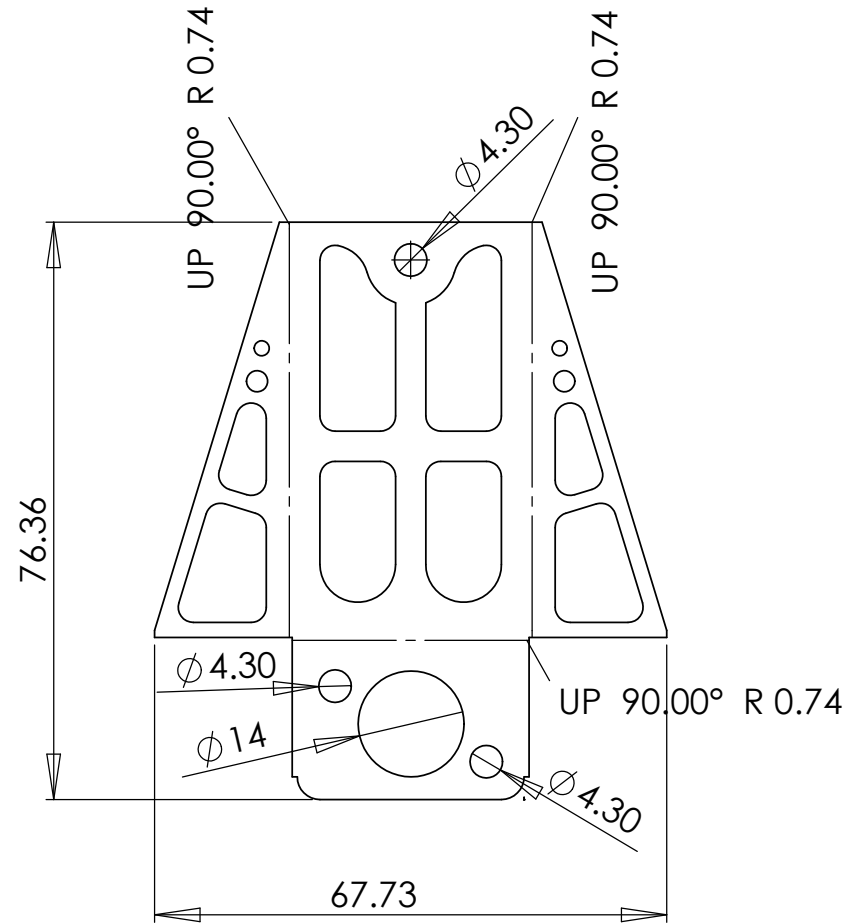
DEBUR AND
 BREAK SHARP
 EDGES

DO NOT SCALE DRAWING REVISION

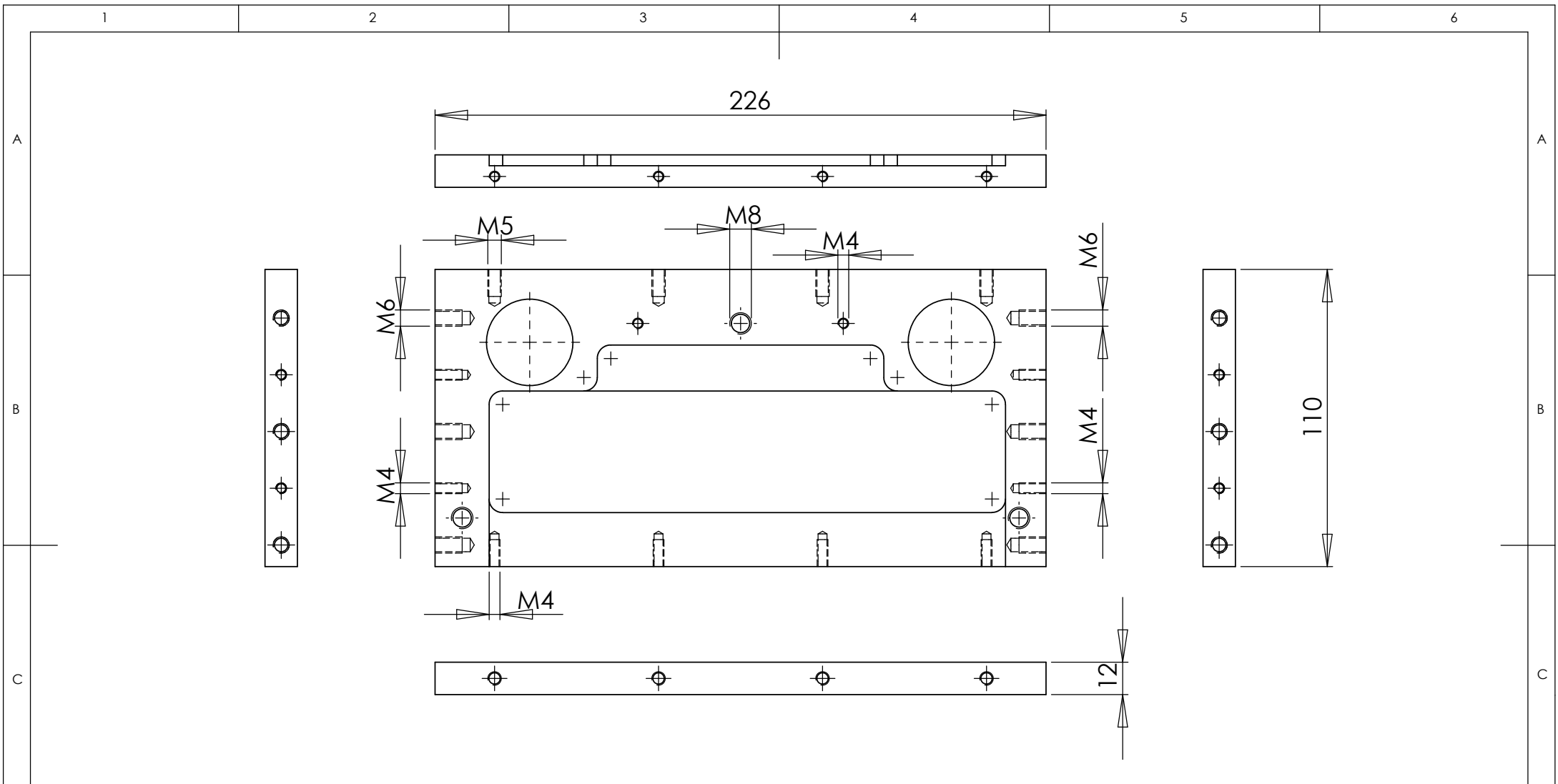
1 OFF

	NAME	SIGNATURE	DATE		
DRAWN	R.J.Sanders		27.03.08		
CHK'D	A.J.Smith		27.03.08		
APPV'D					
MFG					
Q.A					
				MATERIAL:	
				Aluminium 6082	
				WEIGHT:	

TITLE:
Arm right mount
 DWG NO. **A4**
 SCALE:1:1 SHEET 1 OF 1

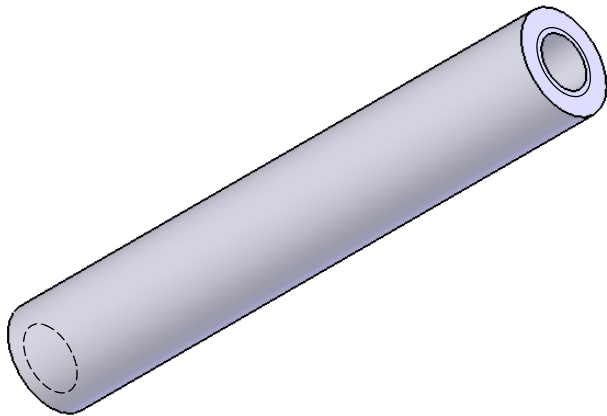
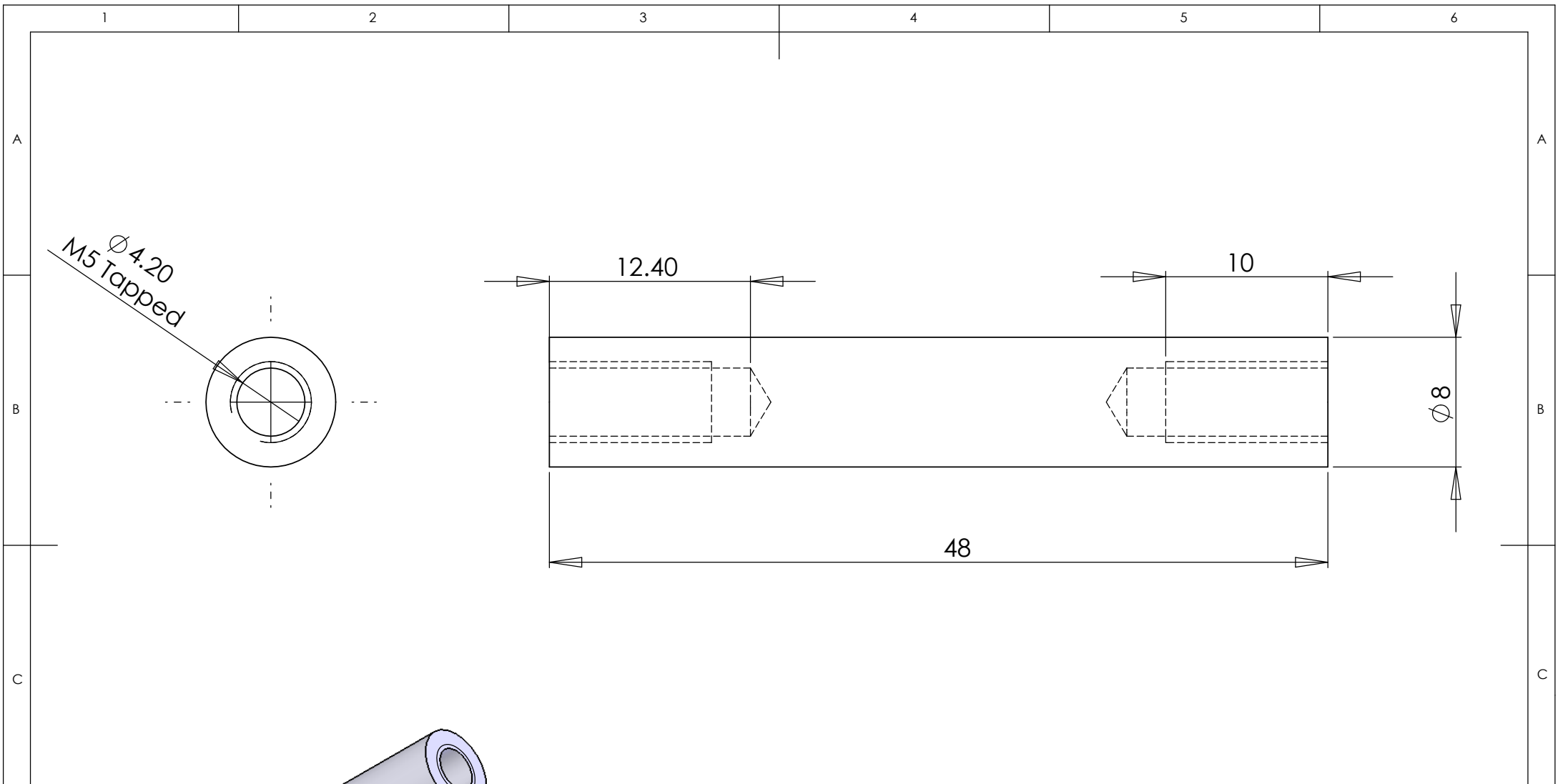


UNLESS OTHERWISE SPECIFIED: DIMENSIONS ARE IN MILLIMETERS SURFACE FINISH: TOLERANCES: LINEAR: ANGULAR:				FINISH: Standard Sheet Finish		DEBUR AND BREAK SHARP EDGES		DO NOT SCALE DRAWING		REVISION	
								TITLE: Axis 207 Chassis Bracket			
DRAWN R.J.SANDERS				SIGNATURE		DATE 15/04/08					
CHK'D A.SMITH											
APPV'D											
MFG											
Q.A						MATERIAL: 1.2mm Stainless		DWG NO.		A4	
						WEIGHT:		SCALE:1:1		SHEET 1 OF 1	

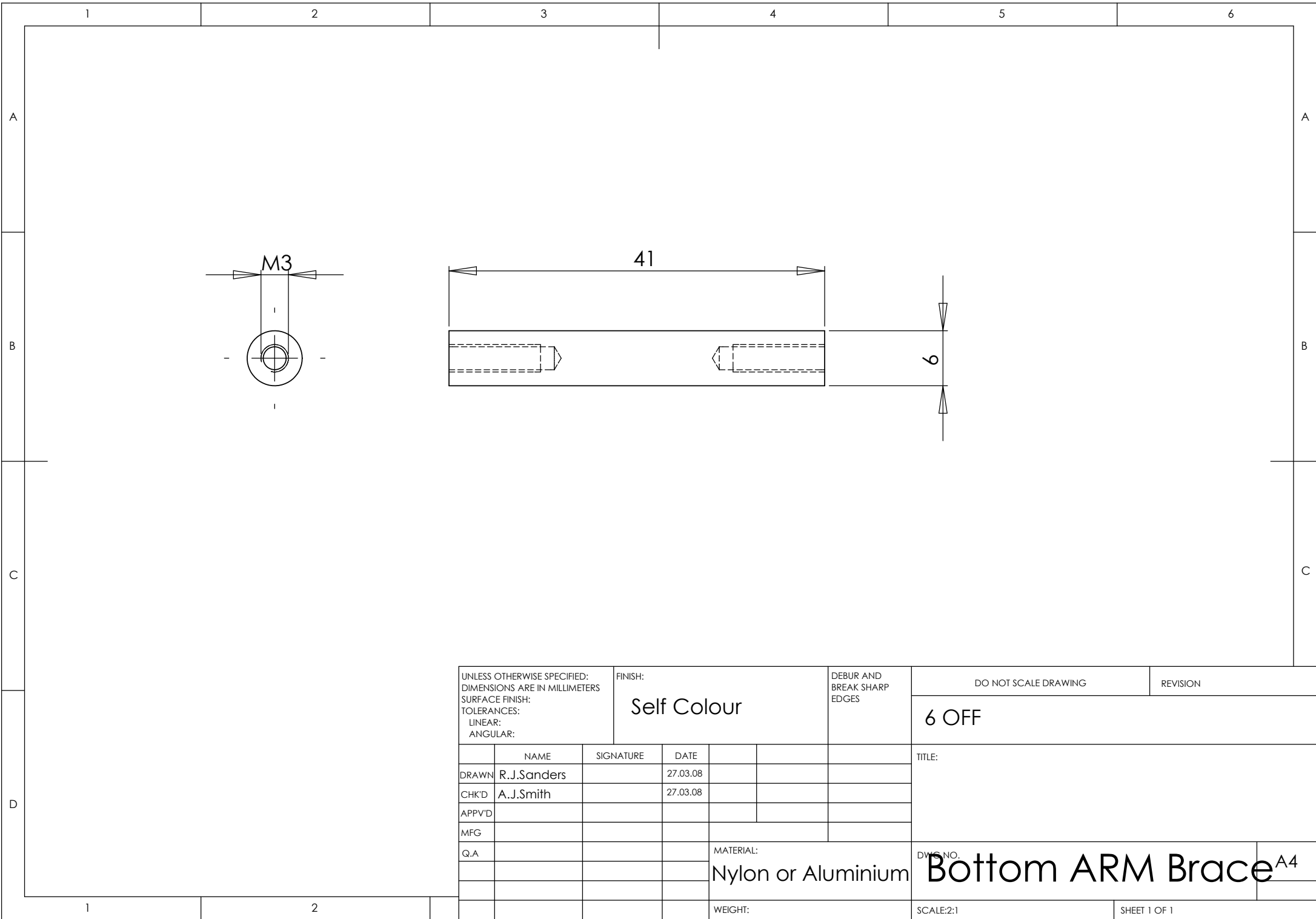


UNLESS OTHERWISE SPECIFIED: DIMENSIONS ARE IN MILLIMETERS SURFACE FINISH: TOLERANCES: LINEAR: ANGULAR:				FINISH: Self Colour		DEBUR AND BREAK SHARP EDGES		DO NOT SCALE DRAWING		REVISION	
								1 OFF			
								TITLE:			
				MATERIAL: Aluminium 6082 - T6		DWG NO.		Back Plate		A4	
				WEIGHT:		SCALE:1:2		SHEET 1 OF 1			

DRAWN		A.J.Smith		SIGNATURE		DATE		18.02.08	
CHK'D									
APPV'D									
MFG									
Q.A									



UNLESS OTHERWISE SPECIFIED: DIMENSIONS ARE IN MILLIMETERS SURFACE FINISH: TOLERANCES: LINEAR: ANGULAR:				FINISH:		DEBUR AND BREAK SHARP EDGES		DO NOT SCALE DRAWING		REVISION			
								24 Off					
						TITLE: Battery Casing Pin							
						MATERIAL: Aluminium 6082				DWG NO.		A4	
						WEIGHT:				SCALE:1:1		SHEET 1 OF 1	



UNLESS OTHERWISE SPECIFIED:
 DIMENSIONS ARE IN MILLIMETERS
 SURFACE FINISH:
 TOLERANCES:
 LINEAR:
 ANGULAR:

FINISH:
Self Colour

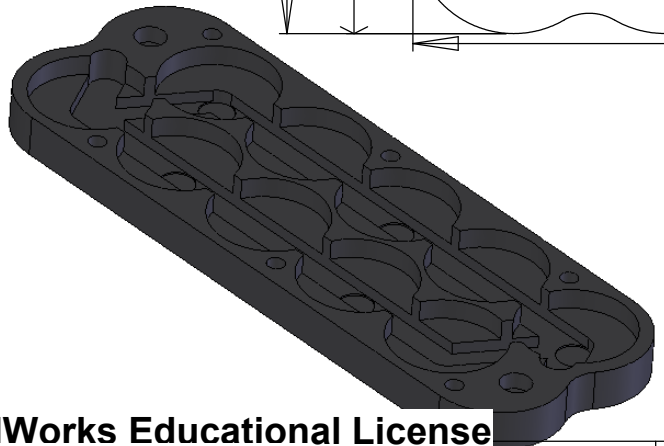
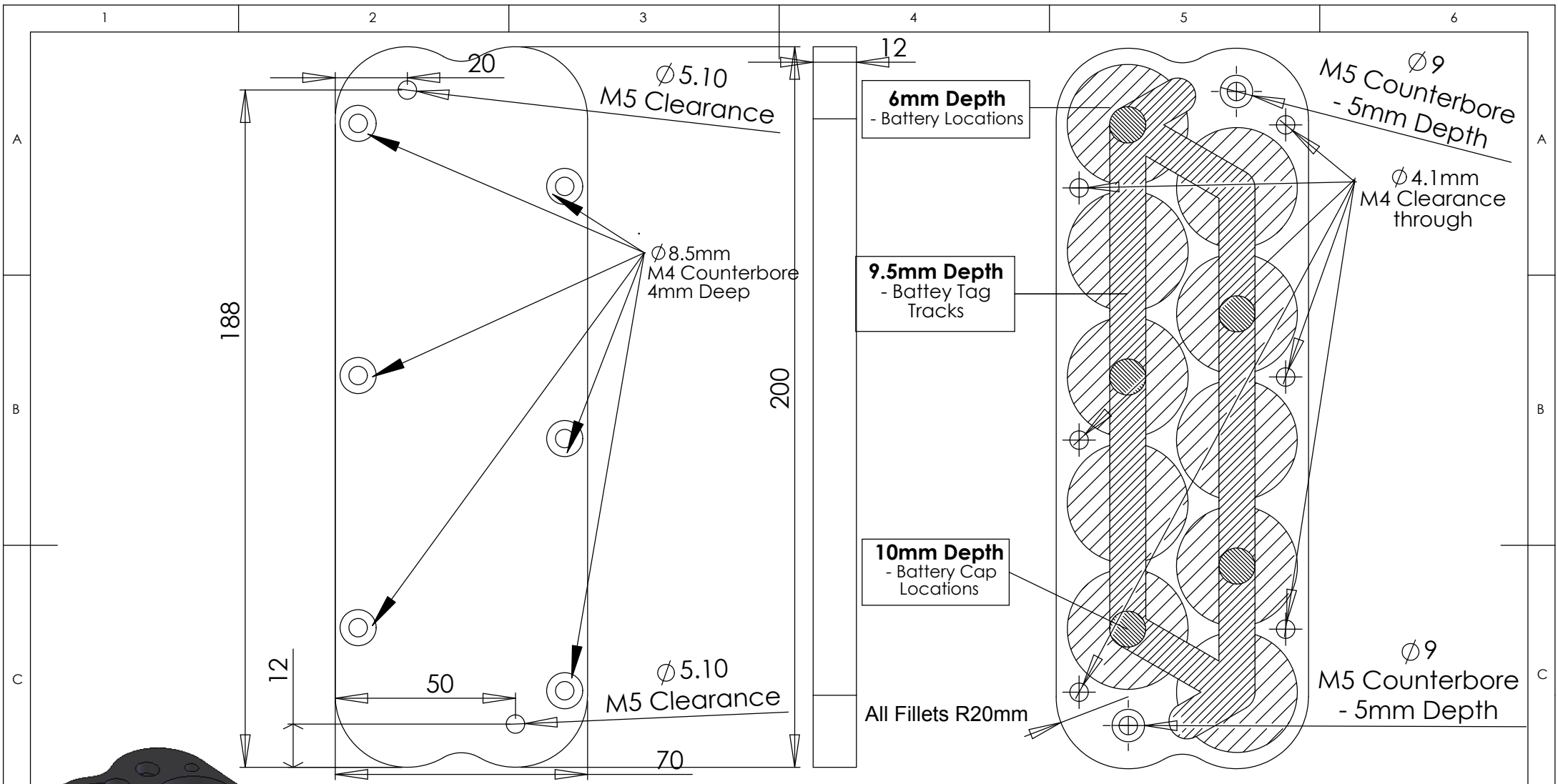
DEBUR AND
 BREAK SHARP
 EDGES

DO NOT SCALE DRAWING
6 OFF

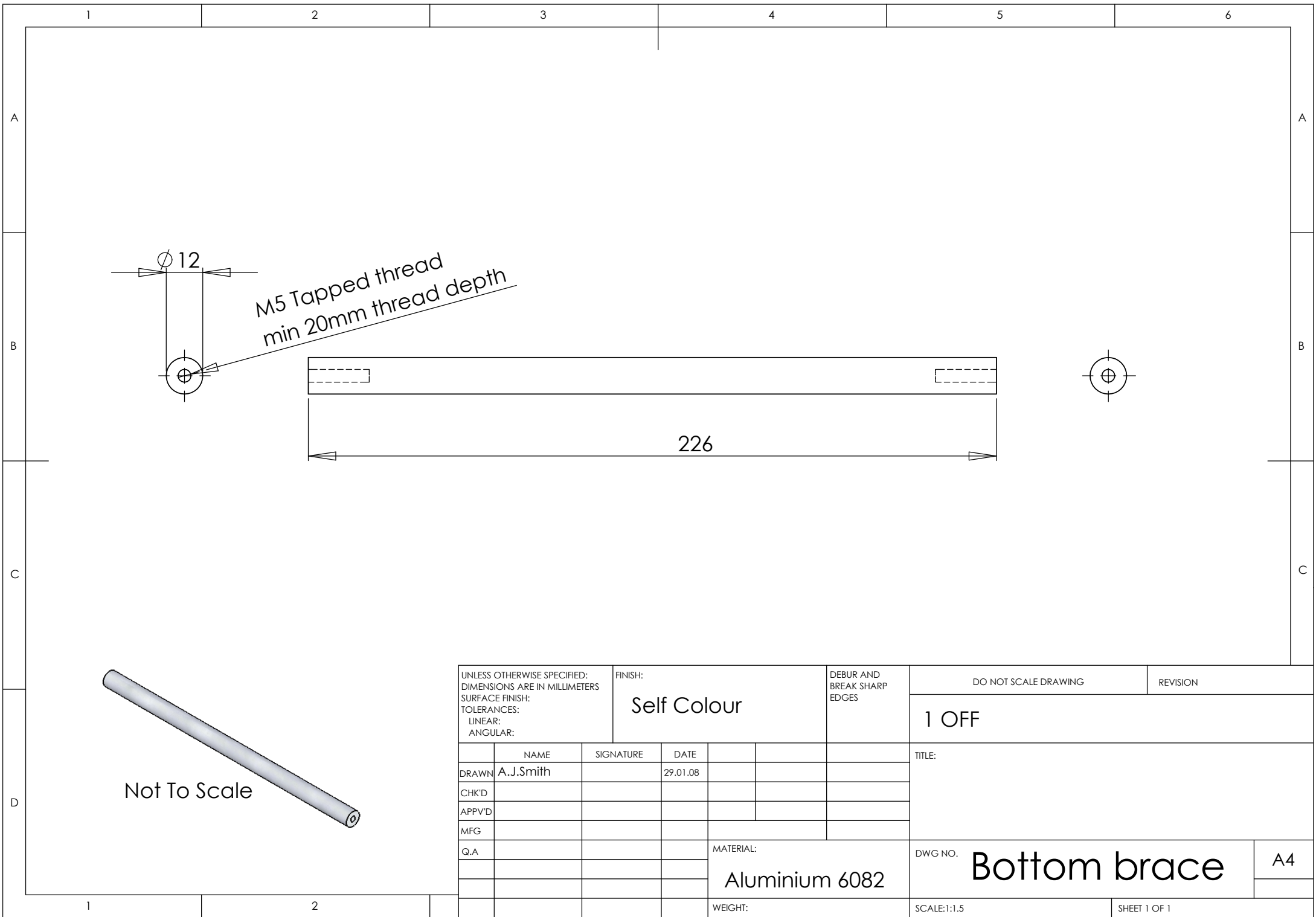
REVISION

	NAME	SIGNATURE	DATE		
DRAWN	R.J.Sanders		27.03.08		
CHK'D	A.J.Smith		27.03.08		
APPV'D					
MFG					
Q.A					
				MATERIAL:	
				Nylon or Aluminium	
				WEIGHT:	

TITLE:
Bottom ARM Brace^{A4}
 DWG NO.
 SCALE:2:1
 SHEET 1 OF 1



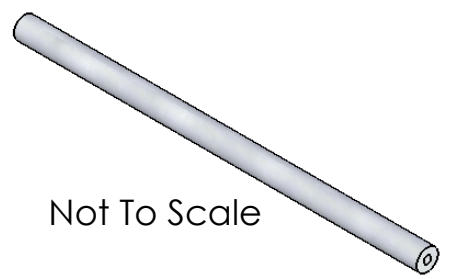
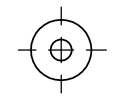
UNLESS OTHERWISE SPECIFIED: DIMENSIONS ARE IN MILLIMETERS SURFACE FINISH: TOLERANCES: LINEAR: ANGULAR:				FINISH:		DEBUR AND BREAK SHARP EDGES		DO NOT SCALE DRAWING		REVISION		
								2 OFF				
						TITLE: WRONG Bottom Battery Casing						
						MATERIAL: Nylon 66				DWG NO.		A4
						WEIGHT:		SCALE:1:5		SHEET 1 OF 1		



M5 Tapped thread
min 20mm thread depth

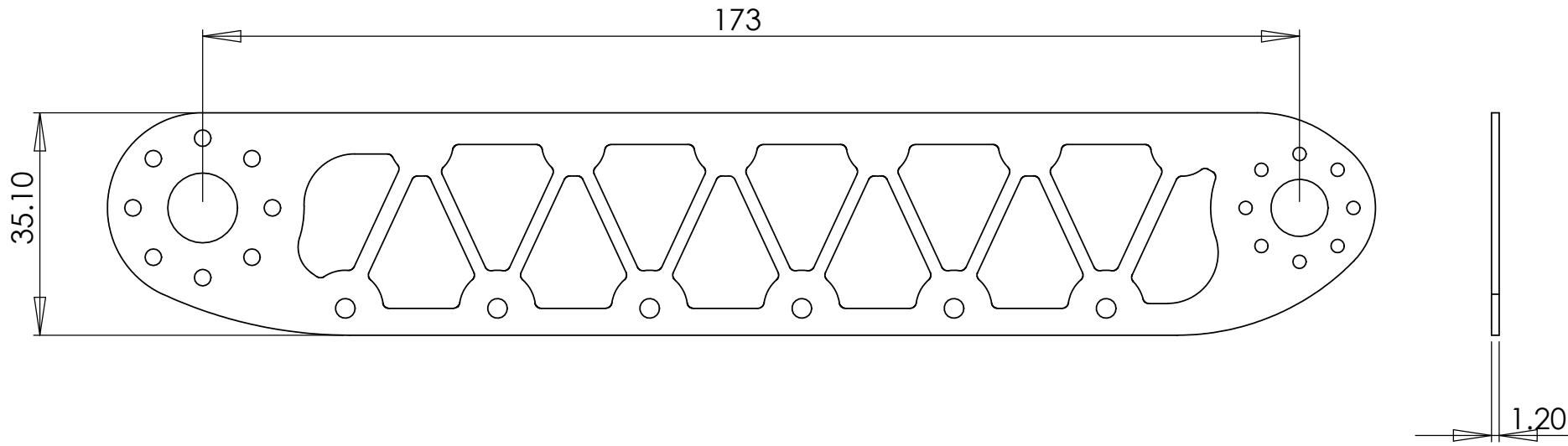
226

12

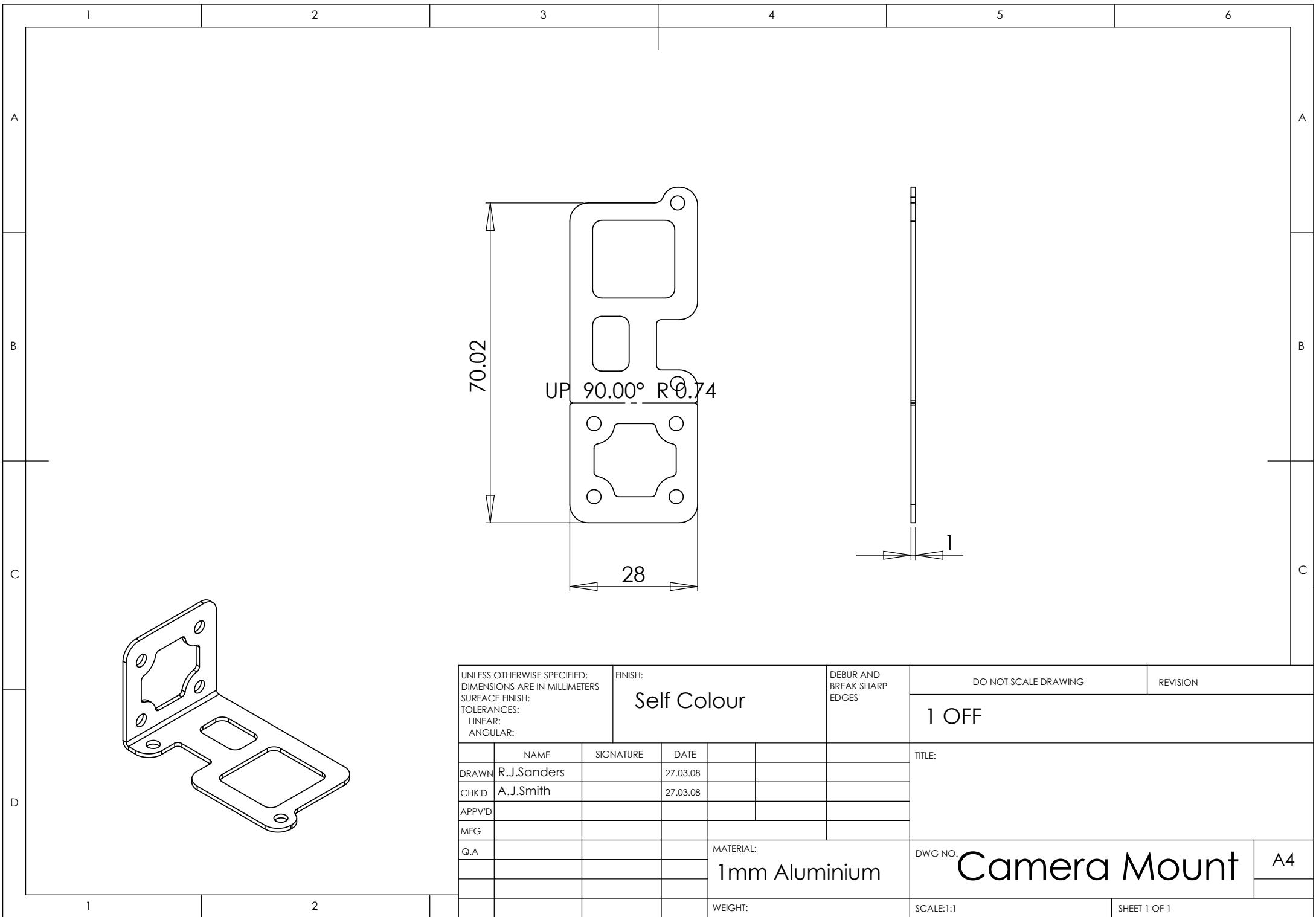


Not To Scale

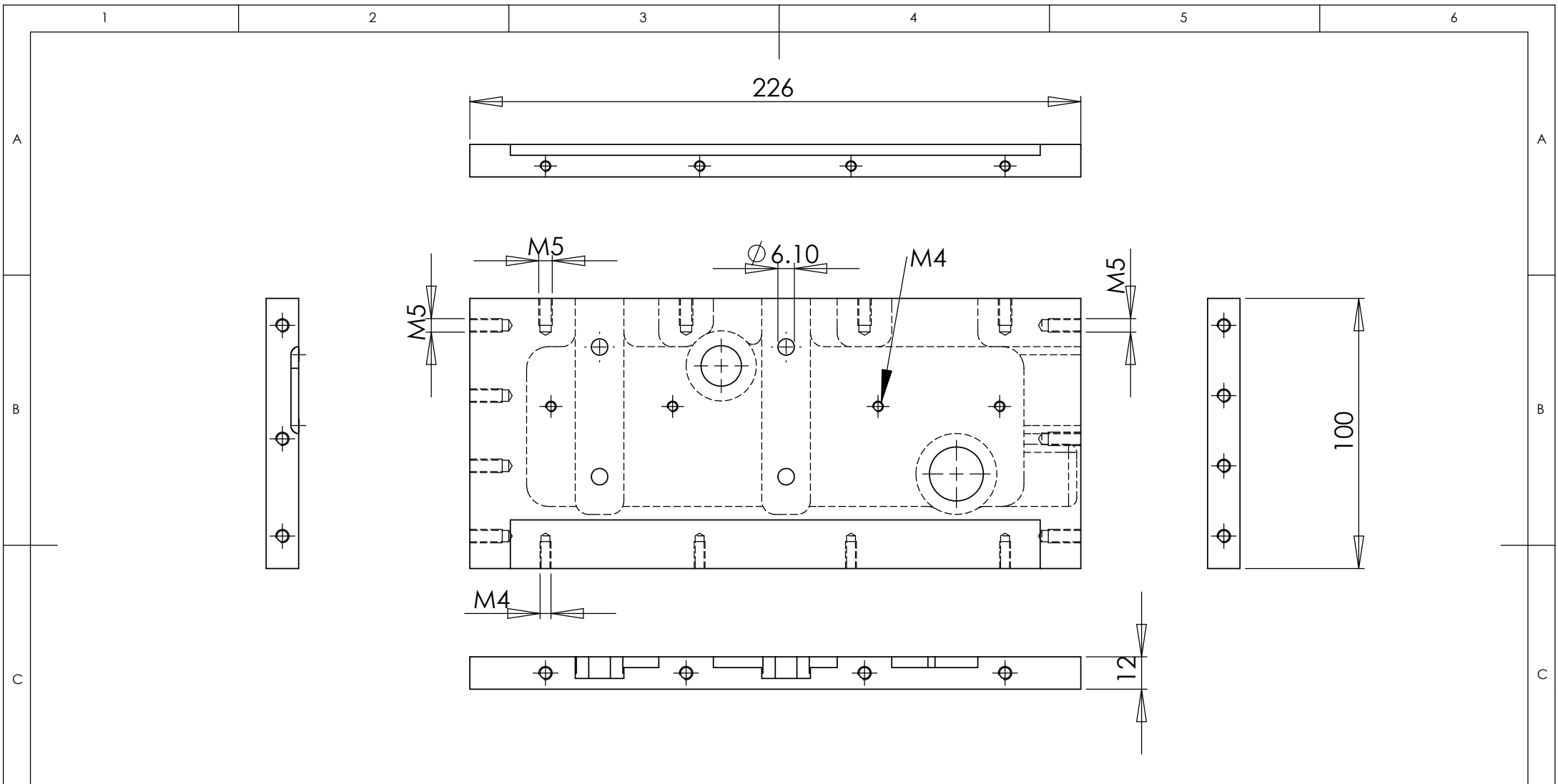
UNLESS OTHERWISE SPECIFIED: DIMENSIONS ARE IN MILLIMETERS SURFACE FINISH: TOLERANCES: LINEAR: ANGULAR:				FINISH: Self Colour		DEBUR AND BREAK SHARP EDGES		DO NOT SCALE DRAWING		REVISION	
								1 OFF			
								TITLE:			
DRAWN		NAME		SIGNATURE		DATE					
A.J.Smith						29.01.08					
CHK'D											
APPV'D											
MFG											
Q.A								MATERIAL:		DWG NO.	
								Aluminium 6082		Bottom brace	
								WEIGHT:		A4	
								SCALE:1:1.5		SHEET 1 OF 1	



UNLESS OTHERWISE SPECIFIED: DIMENSIONS ARE IN MILLIMETERS SURFACE FINISH: TOLERANCES: LINEAR: ANGULAR:				FINISH: Self Colour		DEBUR AND BREAK SHARP EDGES		DO NOT SCALE DRAWING		REVISION	
								2 OFF			
								TITLE:			
DRAWN		A.J. Smith		SIGNATURE		DATE					
CHK'D											
APPV'D											
MFG											
Q.A								MATERIAL: 1.2mm Stainless		DWG NO. Bottom Side Plate A4	
								WEIGHT:		SCALE:1:1 SHEET 1 OF 1	

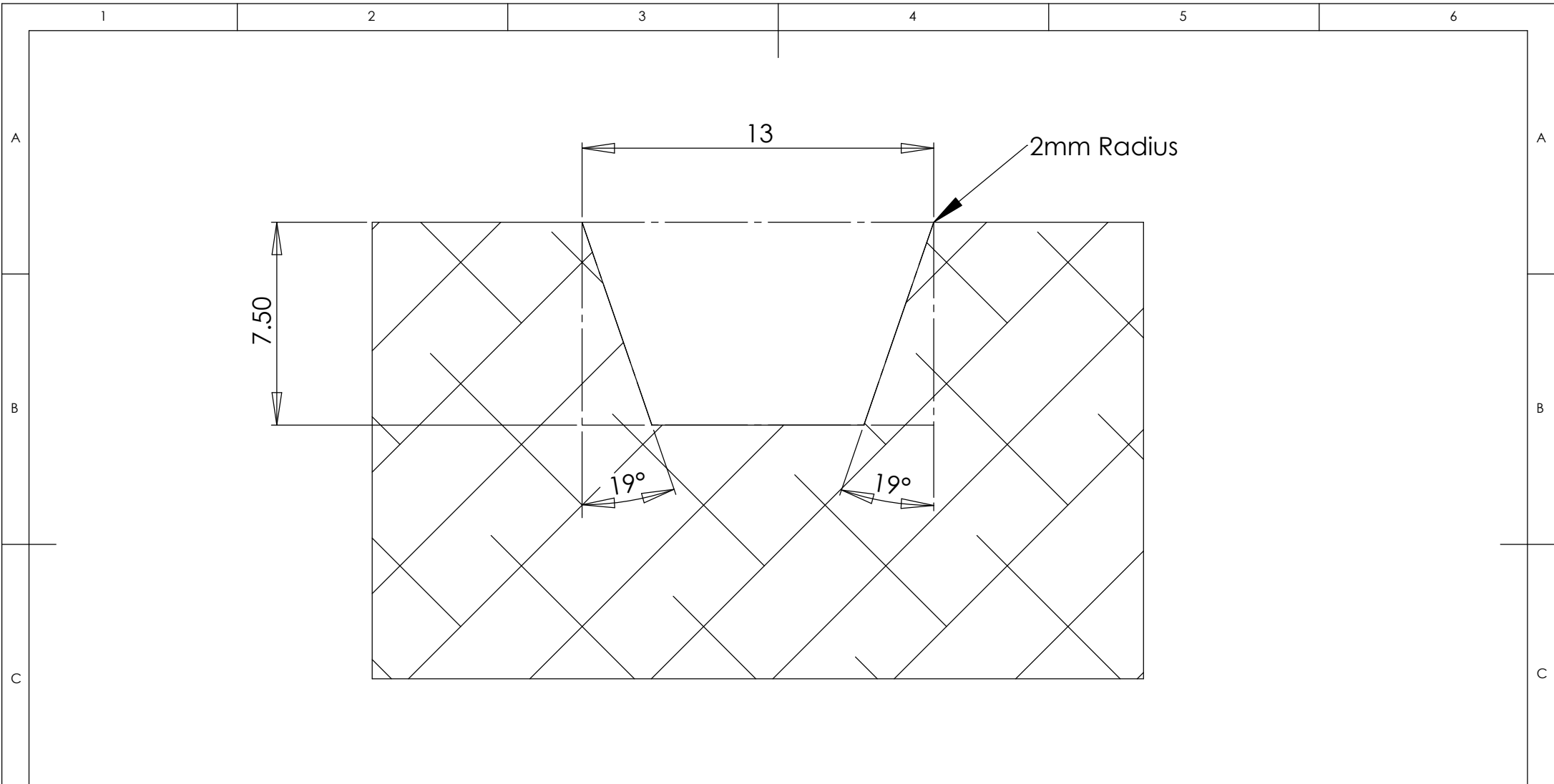


UNLESS OTHERWISE SPECIFIED: DIMENSIONS ARE IN MILLIMETERS SURFACE FINISH: TOLERANCES: LINEAR: ANGULAR:				FINISH: Self Colour		DEBUR AND BREAK SHARP EDGES		DO NOT SCALE DRAWING		REVISION	
								1 OFF			
								TITLE:			
DRAWN R.J.Sanders				SIGNATURE		DATE 27.03.08					
CHK'D A.J.Smith				SIGNATURE		DATE 27.03.08					
APPV'D				SIGNATURE		DATE					
MFG				SIGNATURE		DATE					
Q.A				SIGNATURE		DATE		MATERIAL: 1mm Aluminium		DWG NO. Camera Mount	
				SIGNATURE		DATE		WEIGHT:		SCALE:1:1	
				SIGNATURE		DATE				SHEET 1 OF 1	
				SIGNATURE		DATE				A4	

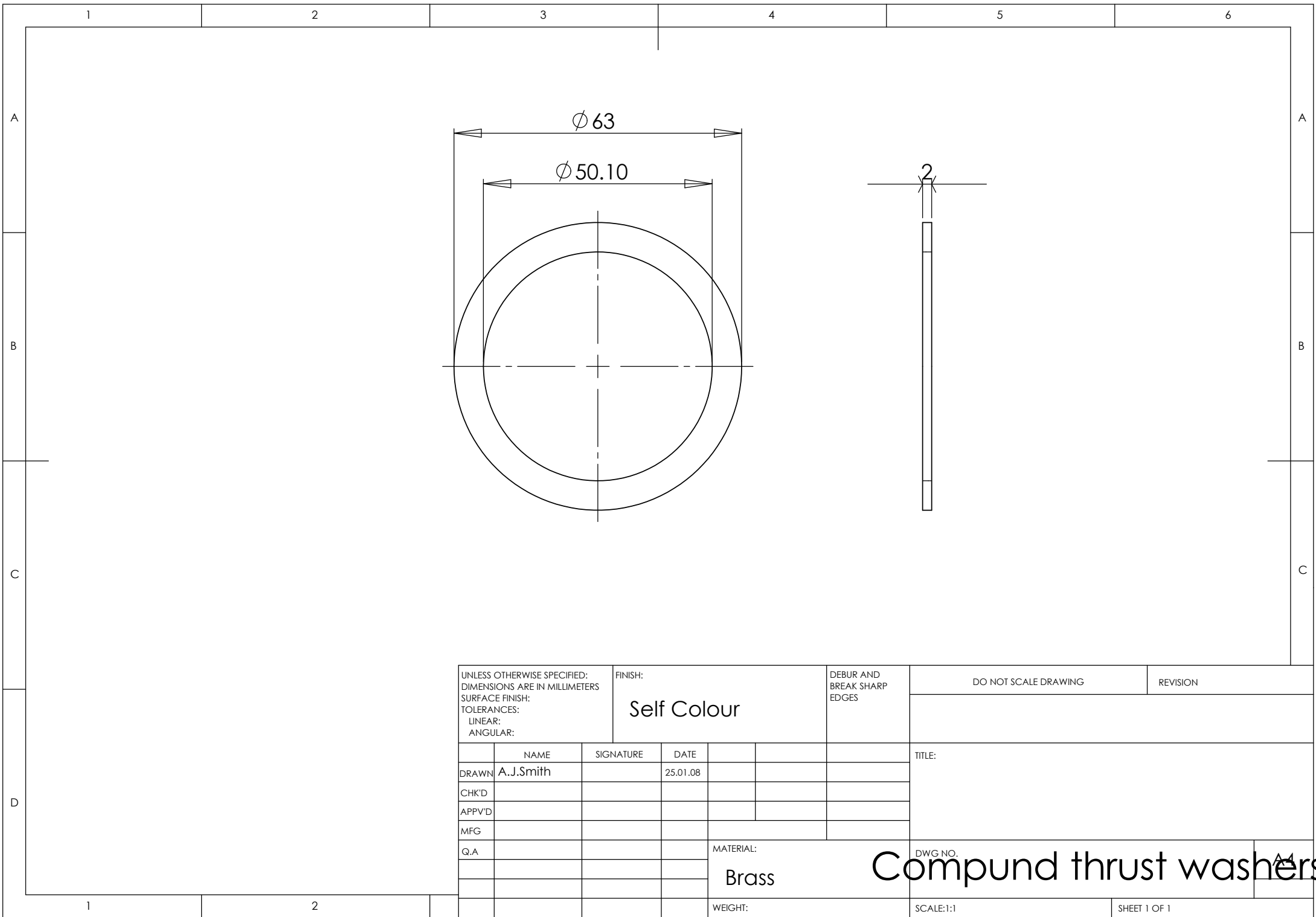


UNLESS OTHERWISE SPECIFIED: DIMENSIONS ARE IN MILLIMETERS SURFACE FINISH: TOLERANCES: LINEAR: ANGULAR:				FINISH: Self Colour		DEBUR AND BREAK SHARP EDGES		DO NOT SCALE DRAWING		REVISION		
								1 OFF				
								TITLE:				
								MATERIAL: Aluminium 6082 - T6		DWG NO. Centre plate		A4
								WEIGHT:		SCALE:1:2		SHEET 1 OF 1

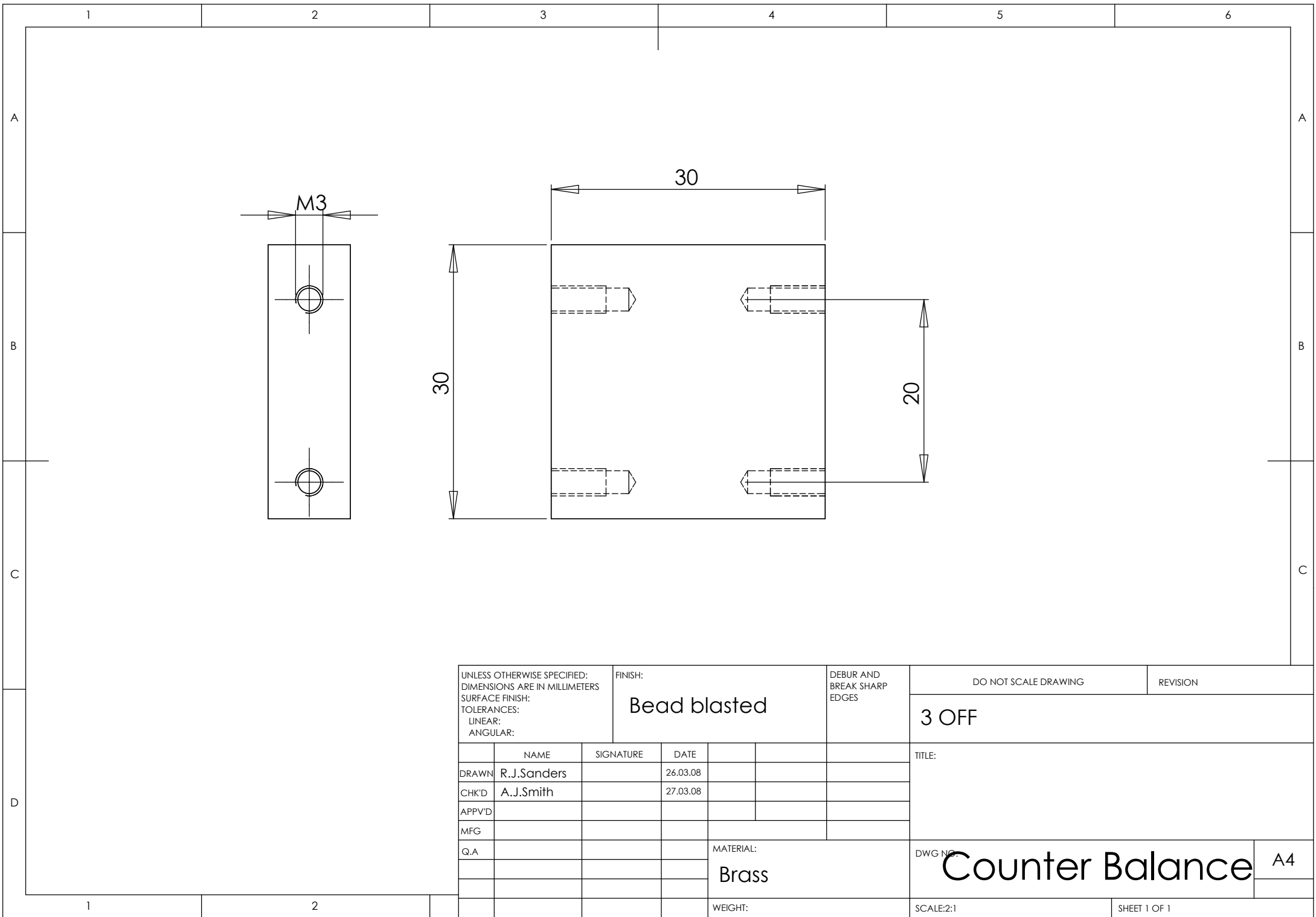
	NAME	SIGNATURE	DATE
DRAWN	A.J.Smith		18.02.08
CHK'D			
APPV'D			
MFG			
Q.A			



UNLESS OTHERWISE SPECIFIED: DIMENSIONS ARE IN MILLIMETERS SURFACE FINISH: TOLERANCES: LINEAR: ANGULAR:				FINISH: Turned		DEBUR AND BREAK SHARP EDGES		DO NOT SCALE DRAWING		REVISION	
	NAME	SIGNATURE	DATE			TITLE:					
DRAWN	A.J. Smith		10.01.08			DWG NO. Centre Tooth profile A4 SCALE: 5:1 SHEET 1 OF 1					
CHK'D											
APPV'D											
MFG											
Q.A											
MATERIAL: Aluminium 6082T6						WEIGHT:					



UNLESS OTHERWISE SPECIFIED: DIMENSIONS ARE IN MILLIMETERS SURFACE FINISH: TOLERANCES: LINEAR: ANGULAR:				FINISH: Self Colour		DEBUR AND BREAK SHARP EDGES		DO NOT SCALE DRAWING		REVISION	
	NAME	SIGNATURE	DATE			TITLE:					
DRAWN	A.J.Smith		25.01.08								
CHK'D											
APPV'D											
MFG											
Q.A					MATERIAL:	DWG NO.		Compound thrust washers			A4
					Brass						
					WEIGHT:	SCALE:1:1		SHEET 1 OF 1			



UNLESS OTHERWISE SPECIFIED:
 DIMENSIONS ARE IN MILLIMETERS
 SURFACE FINISH:
 TOLERANCES:
 LINEAR:
 ANGULAR:

FINISH:
Bead blasted

DEBUR AND
 BREAK SHARP
 EDGES

DO NOT SCALE DRAWING

REVISION

3 OFF

	NAME	SIGNATURE	DATE		
DRAWN	R.J.Sanders		26.03.08		
CHK'D	A.J.Smith		27.03.08		
APPV'D					
MFG					
Q.A					
				MATERIAL:	
				Brass	
				WEIGHT:	

TITLE:

DWG NO. **Counter Balance** A4

M5 x 10 min
thead depth

R22

30

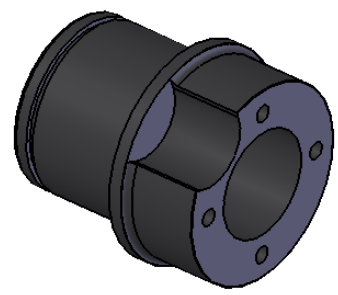
R12

65.15

22.50

58.60

10



UNLESS OTHERWISE SPECIFIED:
DIMENSIONS ARE IN MILLIMETERS
SURFACE FINISH:
TOLERANCES:
LINEAR:
ANGULAR:

FINISH:
Self Colour

DEBUR AND
BREAK SHARP
EDGES

DO NOT SCALE DRAWING

REVISION

2 OFF

	NAME	SIGNATURE	DATE		
DRAWN	A. J. Smith		22.01.08		
CHK'D					
APPV'D					
MFG					
Q.A					

TITLE:

MATERIAL:
6082 Alluminium

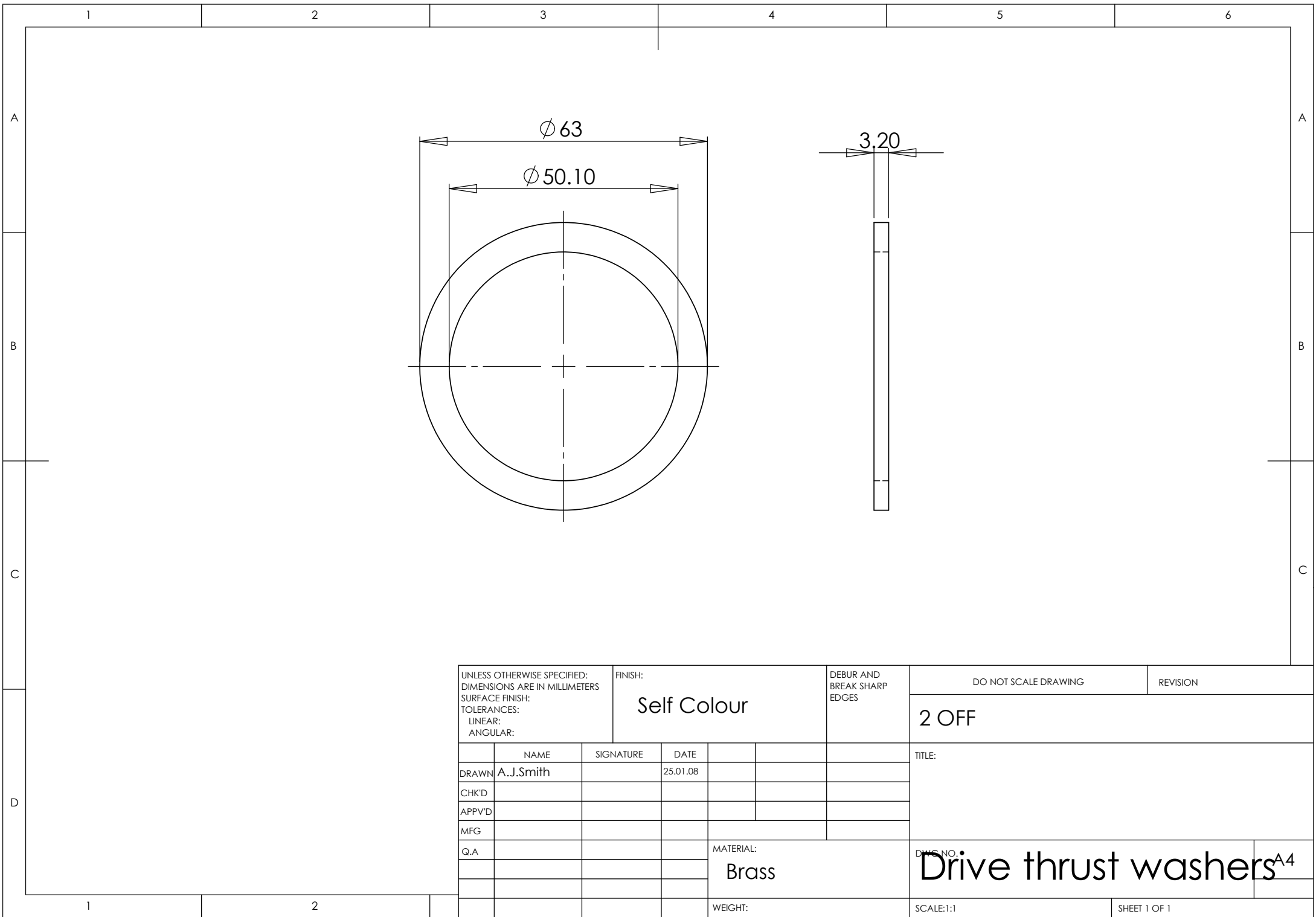
DWG NO. **Drive Stub Shaft**

A4

WEIGHT: ~ 200g

SCALE:1:1

SHEET 1 OF 1



UNLESS OTHERWISE SPECIFIED:
 DIMENSIONS ARE IN MILLIMETERS
 SURFACE FINISH:
 TOLERANCES:
 LINEAR:
 ANGULAR:

FINISH:
Self Colour

DEBUR AND
 BREAK SHARP
 EDGES

DO NOT SCALE DRAWING
2 OFF

REVISION

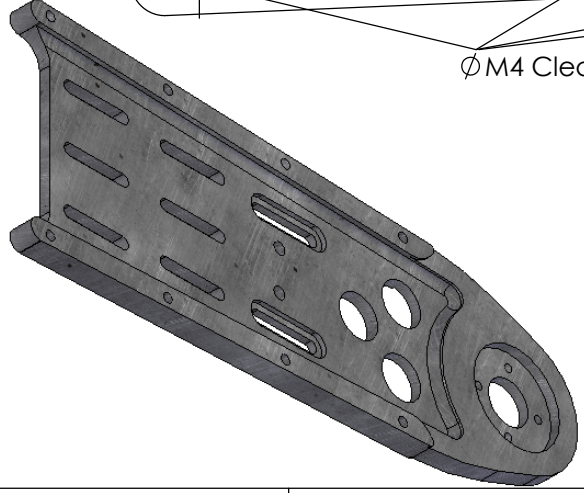
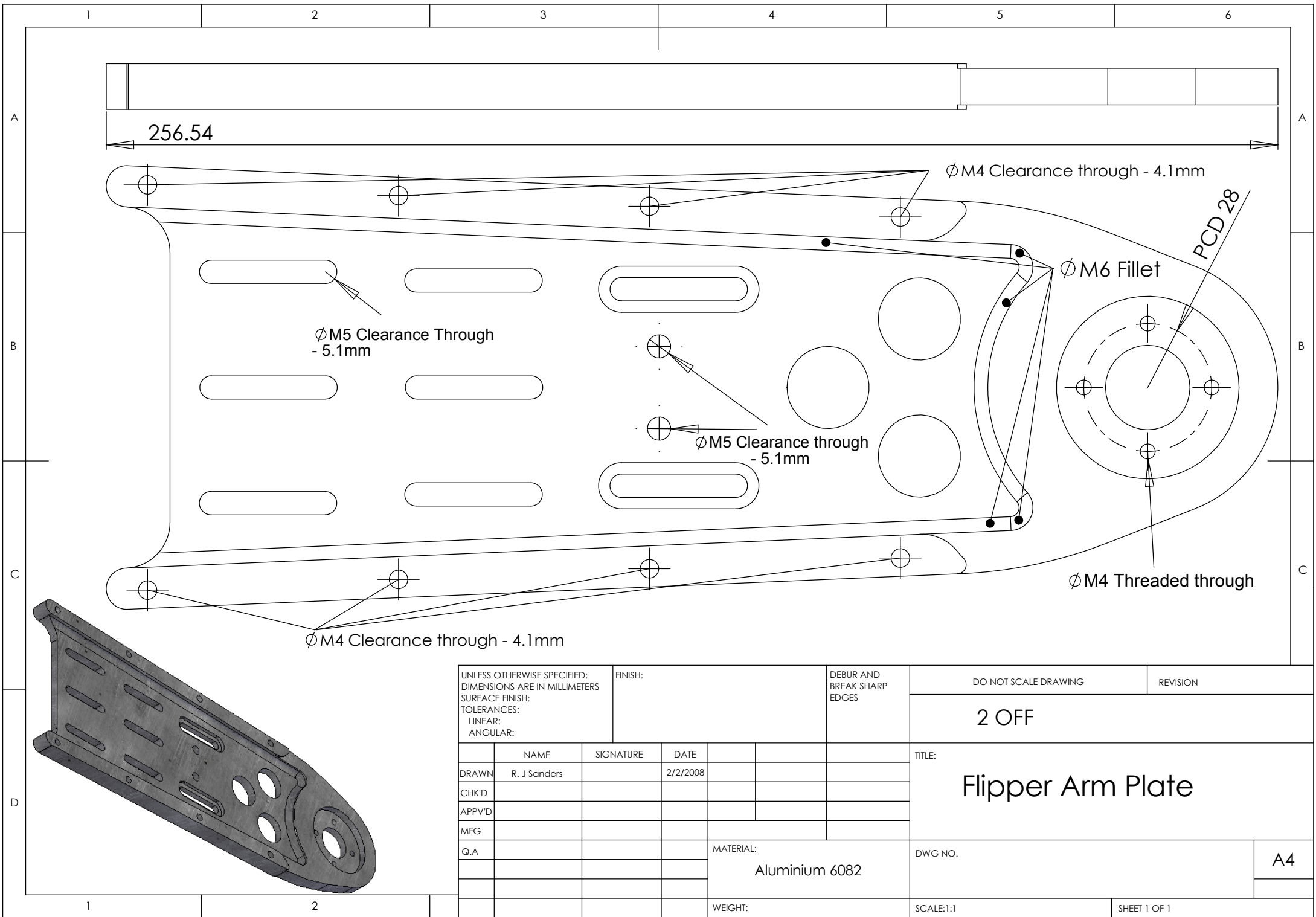
	NAME	SIGNATURE	DATE		
DRAWN	A.J.Smith		25.01.08		
CHK'D					
APPV'D					
MFG					
Q.A					

TITLE:
Drive thrust washers A4

WEIGHT:

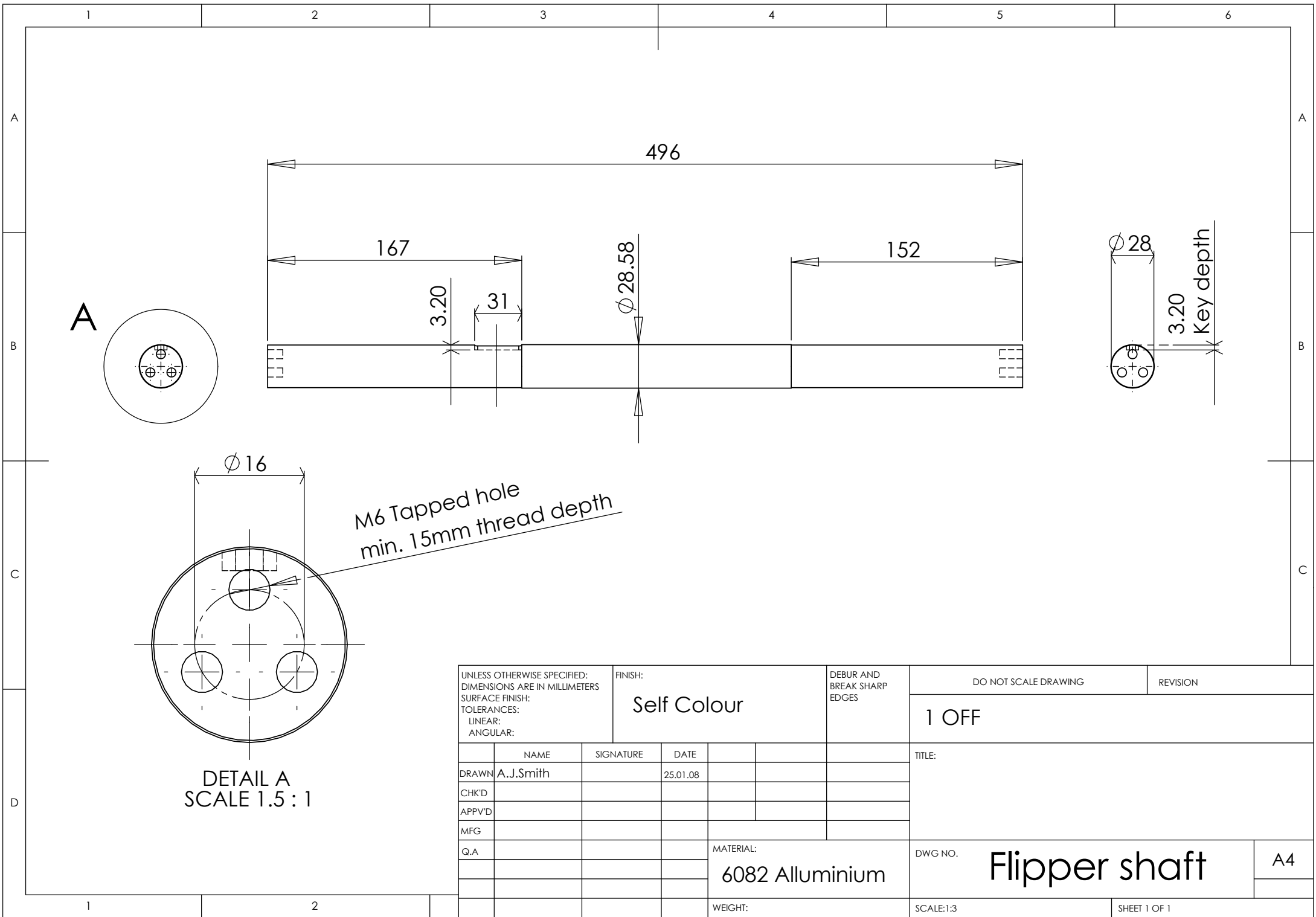
SCALE:1:1

SHEET 1 OF 1



UNLESS OTHERWISE SPECIFIED: DIMENSIONS ARE IN MILLIMETERS SURFACE FINISH: TOLERANCES: LINEAR: ANGULAR:				FINISH:		DEBUR AND BREAK SHARP EDGES		DO NOT SCALE DRAWING		REVISION	
								2 OFF			
								TITLE: Flipper Arm Plate			
						MATERIAL: Aluminium 6082		DWG NO.		A4	
						WEIGHT:		SCALE:1:1		SHEET 1 OF 1	

	NAME	SIGNATURE	DATE		
DRAWN	R. J Sanders		2/2/2008		
CHK'D					
APPV'D					
MFG					
Q.A					



M6 Tapped hole
min. 15mm thread depth

DETAIL A
SCALE 1.5 : 1

UNLESS OTHERWISE SPECIFIED: DIMENSIONS ARE IN MILLIMETERS SURFACE FINISH: TOLERANCES: LINEAR: ANGULAR:				FINISH: Self Colour		DEBUR AND BREAK SHARP EDGES		DO NOT SCALE DRAWING		REVISION	
								1 OFF			
								TITLE:			
				MATERIAL: 6082 Alluminium		DWG NO.		Flipper shaft		A4	
				WEIGHT:		SCALE:1:3		SHEET 1 OF 1			

	NAME	SIGNATURE	DATE		
DRAWN	A.J.Smith		25.01.08		
CHK'D					
APPV'D					
MFG					
Q.A					

1 2 3 4 5 6

A

A

B

B

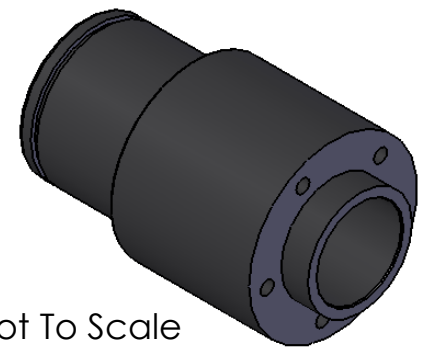
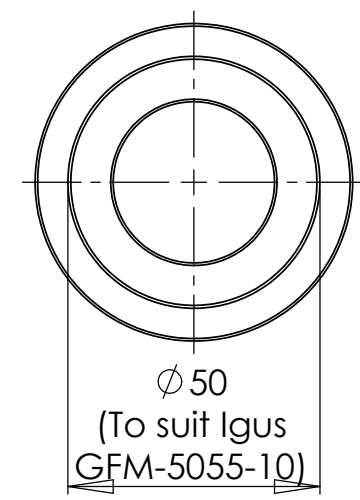
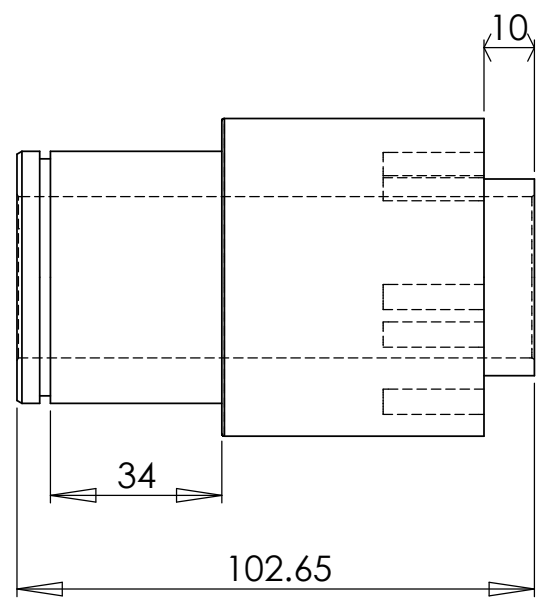
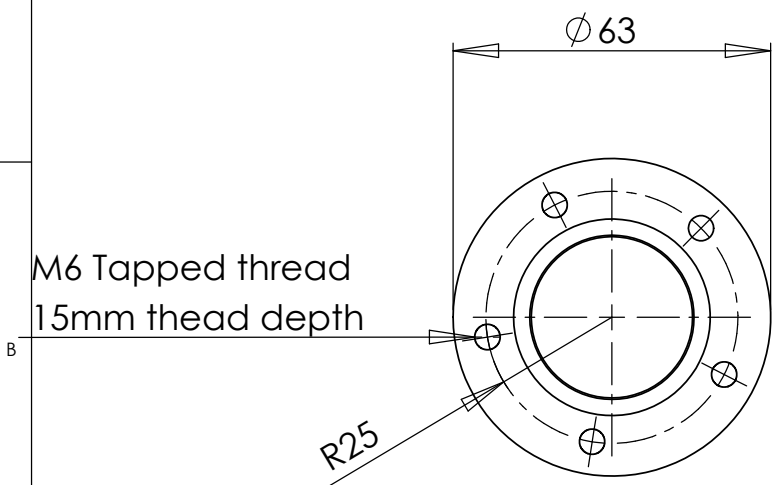
C

C

D

1

2



Not To Scale

UNLESS OTHERWISE SPECIFIED:
 DIMENSIONS ARE IN MILLIMETERS
 SURFACE FINISH:
 TOLERANCES:
 LINEAR:
 ANGULAR:

FINISH:
Self Colour

DEBUR AND
 BREAK SHARP
 EDGES

DO NOT SCALE DRAWING

REVISION

2 OFF

	NAME	SIGNATURE	DATE		
DRAWN	A.J.Smith		24.01.08		
CHK'D					
APPV'D					
MFG					
Q.A					

TITLE:

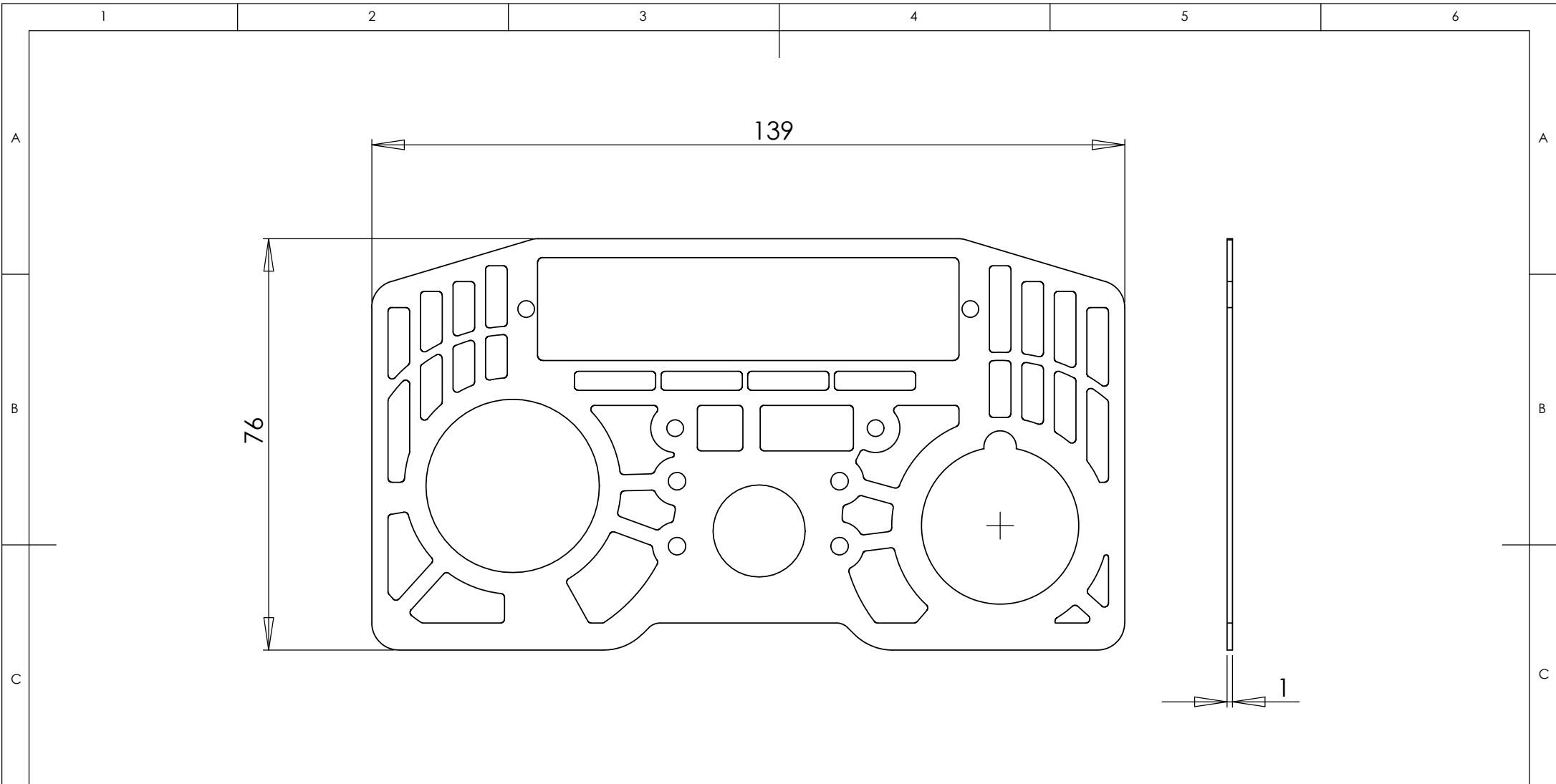
MATERIAL:
6082 Alluminium

DWG NO: **Front drive shafts** A4

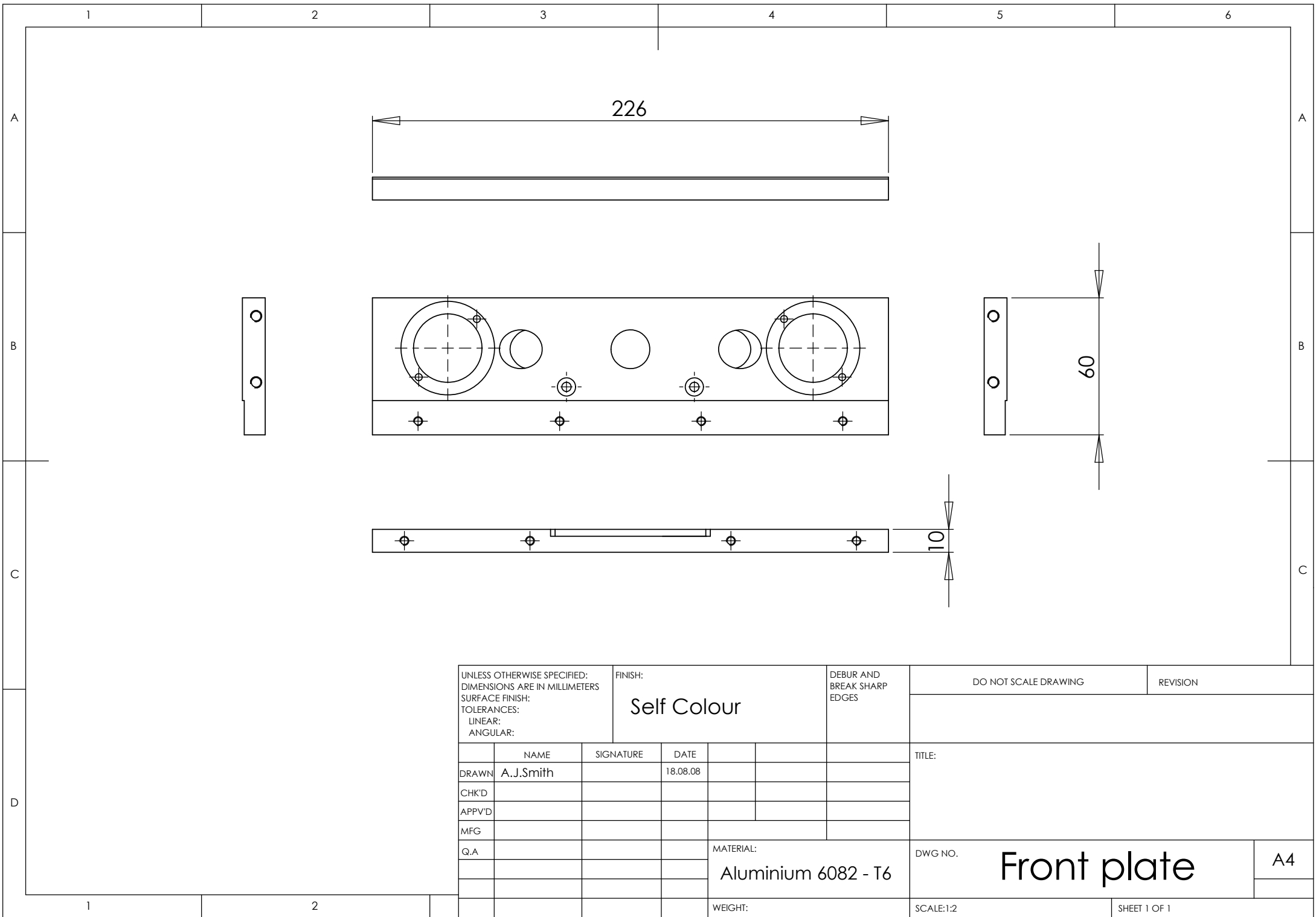
WEIGHT:

SCALE:1:1.5

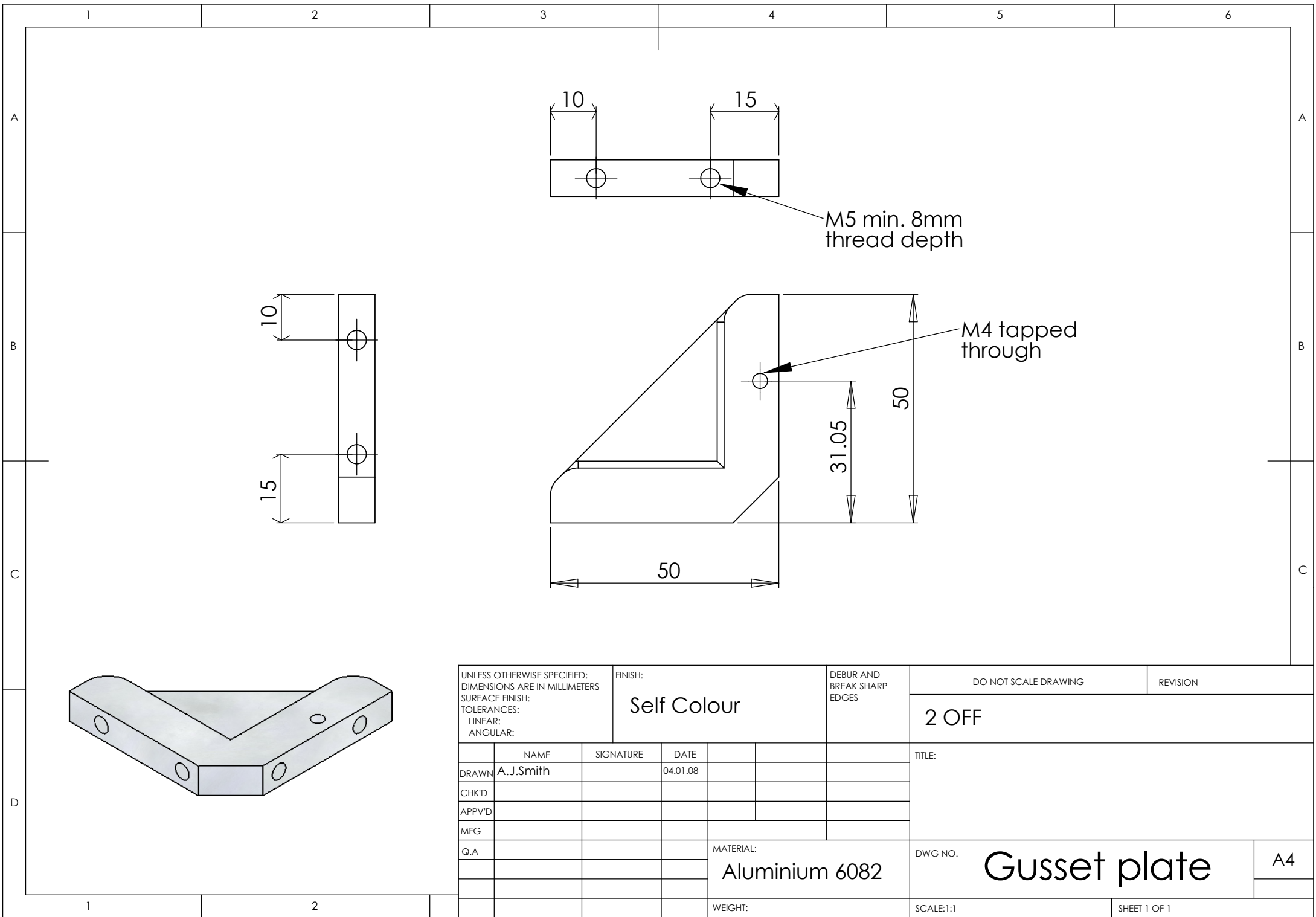
SHEET 1 OF 1



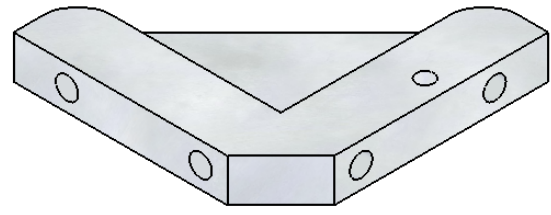
UNLESS OTHERWISE SPECIFIED: DIMENSIONS ARE IN MILLIMETERS SURFACE FINISH: TOLERANCES: LINEAR: ANGULAR:				FINISH: Self Colour		DEBUR AND BREAK SHARP EDGES		DO NOT SCALE DRAWING		REVISION	
								1 OFF			
								TITLE:			
				MATERIAL: 1mm Aluminium		DWG NO: Front Face Plate				A4	
				WEIGHT:		SCALE:1:1				SHEET 1 OF 1	
DRAWN		R.J.Sanders		SIGNATURE		DATE		26.03.08			
CHK'D		A.J. Smith				DATE		26.03.08			
APPV'D											
MFG											
Q.A											



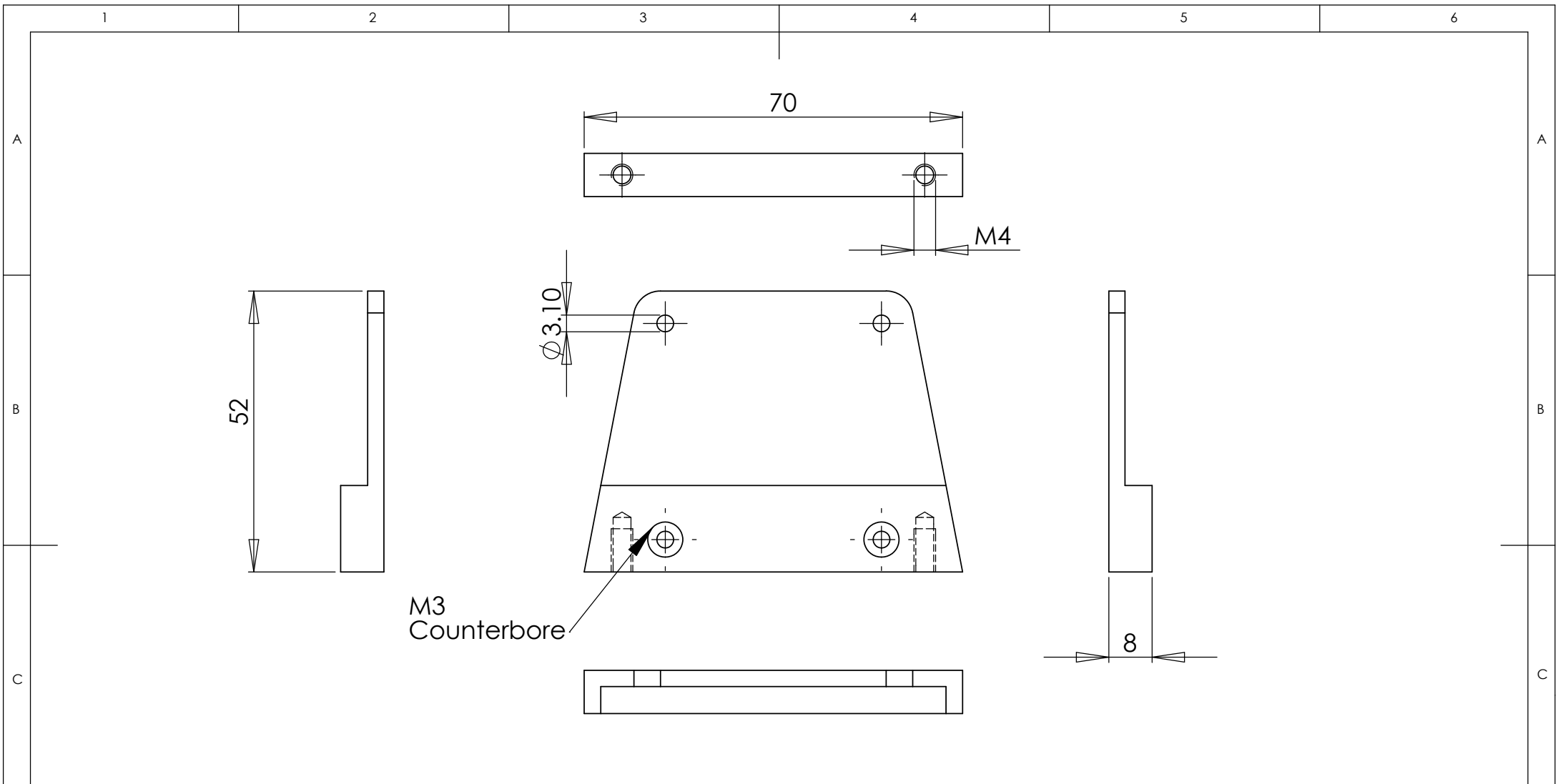
UNLESS OTHERWISE SPECIFIED: DIMENSIONS ARE IN MILLIMETERS SURFACE FINISH: TOLERANCES: LINEAR: ANGULAR:				FINISH: Self Colour		DEBUR AND BREAK SHARP EDGES		DO NOT SCALE DRAWING		REVISION	
	NAME	SIGNATURE	DATE					TITLE:			
DRAWN	A.J.Smith		18.08.08								
CHK'D											
APPV'D											
MFG											
Q.A						MATERIAL: Aluminium 6082 - T6		DWG NO.		Front plate	
								SCALE:1:2		SHEET 1 OF 1	
										A4	



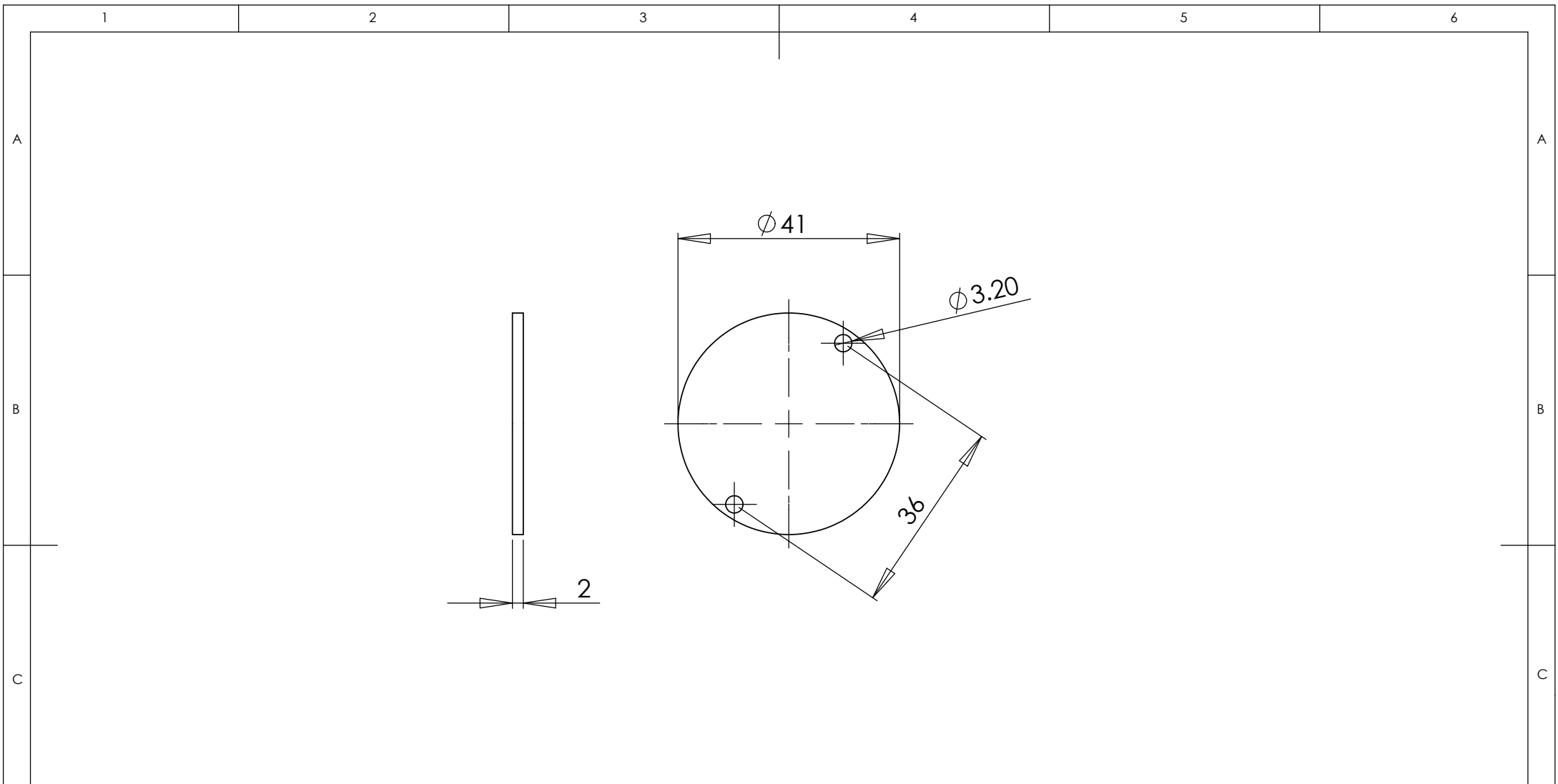
UNLESS OTHERWISE SPECIFIED: DIMENSIONS ARE IN MILLIMETERS SURFACE FINISH: TOLERANCES: LINEAR: ANGULAR:				FINISH: Self Colour		DEBUR AND BREAK SHARP EDGES		DO NOT SCALE DRAWING		REVISION			
								2 OFF					
								TITLE:					
								MATERIAL: Aluminium 6082					
								DWG NO.		Gusset plate		A4	
								WEIGHT:		SCALE:1:1		SHEET 1 OF 1	



NAME	SIGNATURE	DATE
DRAWN A.J.Smith		04.01.08
CHK'D		
APPV'D		
MFG		
Q.A		



UNLESS OTHERWISE SPECIFIED: DIMENSIONS ARE IN MILLIMETERS				FINISH: Self Colour		DEBUR AND BREAK SHARP EDGES		DO NOT SCALE DRAWING		REVISION	
SURFACE FINISH:								1 OFF			
TOLERANCES:								TITLE:			
LINEAR:											
ANGULAR:											
	NAME	SIGNATURE	DATE								
DRAWN	A.J.Smith		18.02.08								
CHK'D											
APPV'D											
MFG											
Q.A						MATERIAL:		DWG NO.		A4	
						Aluminium 6082 - T6		Ladar Bracket			
						WEIGHT:		SCALE:1:1		SHEET 1 OF 1	



UNLESS OTHERWISE SPECIFIED: DIMENSIONS ARE IN MILLIMETERS SURFACE FINISH: TOLERANCES: LINEAR: ANGULAR:				FINISH: Clear		DEBUR AND BREAK SHARP EDGES 2 OFF		DO NOT SCALE DRAWING		REVISION	
								Warwick Mobile Robotics			
								TITLE: Polycarbonate centre section lid			
								MATERIAL: Polycarbonate			
								WEIGHT:			
								SCALE:1:1			
								SHEET 1 OF 1			

Warwick Mobile Robotics

TITLE:
Polycarbonate centre section lid

MATERIAL:
Polycarbonate

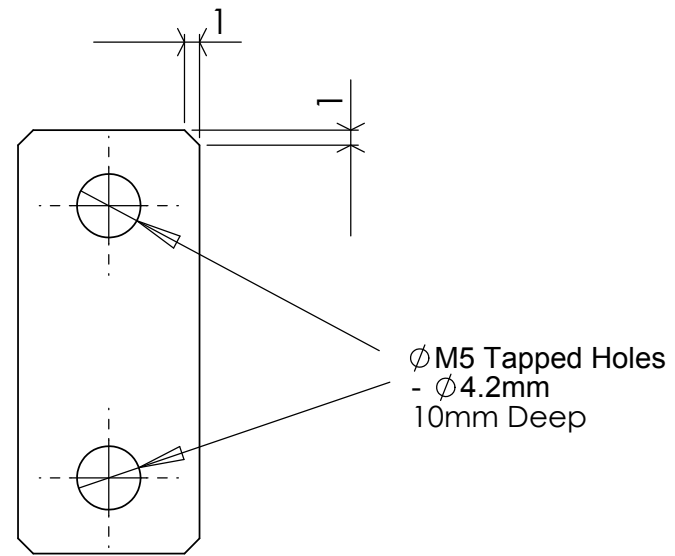
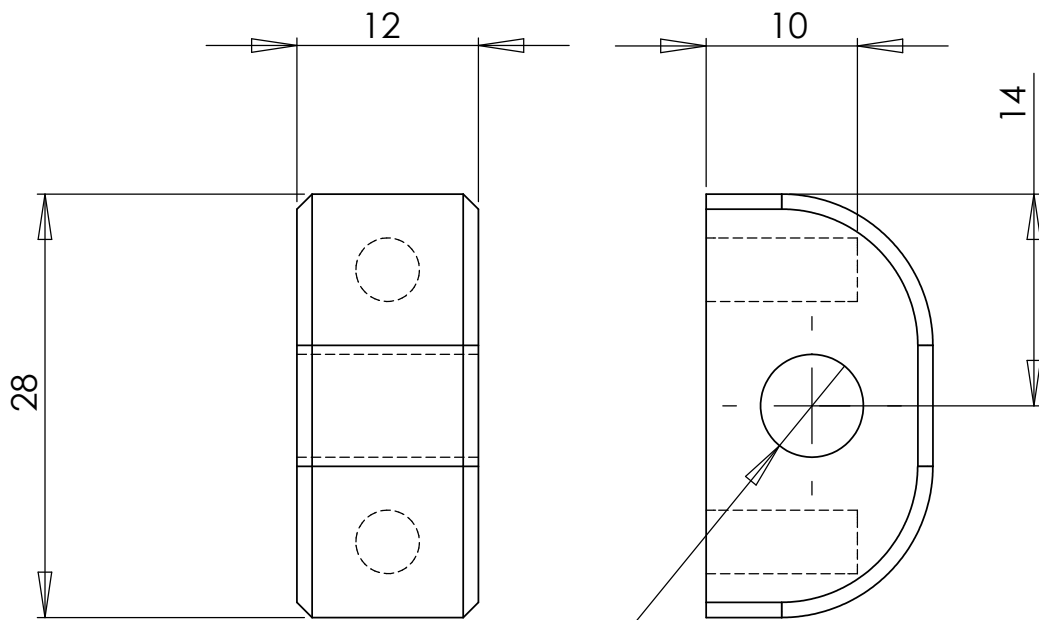
WEIGHT:

SCALE:1:1

SHEET 1 OF 1

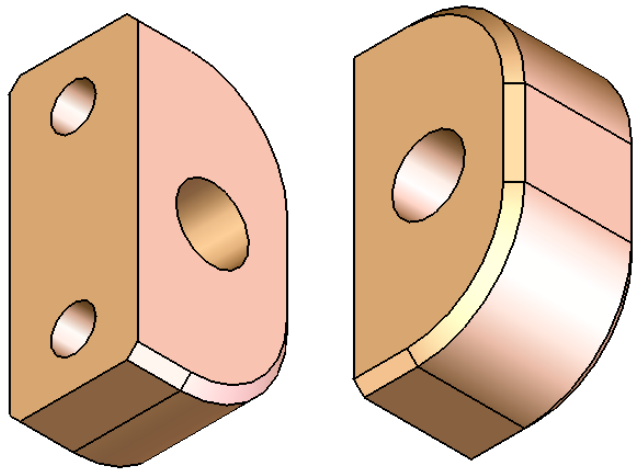
LED Light array cover

A4



Ø M8 Tapped Through

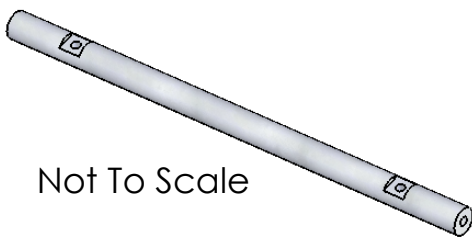
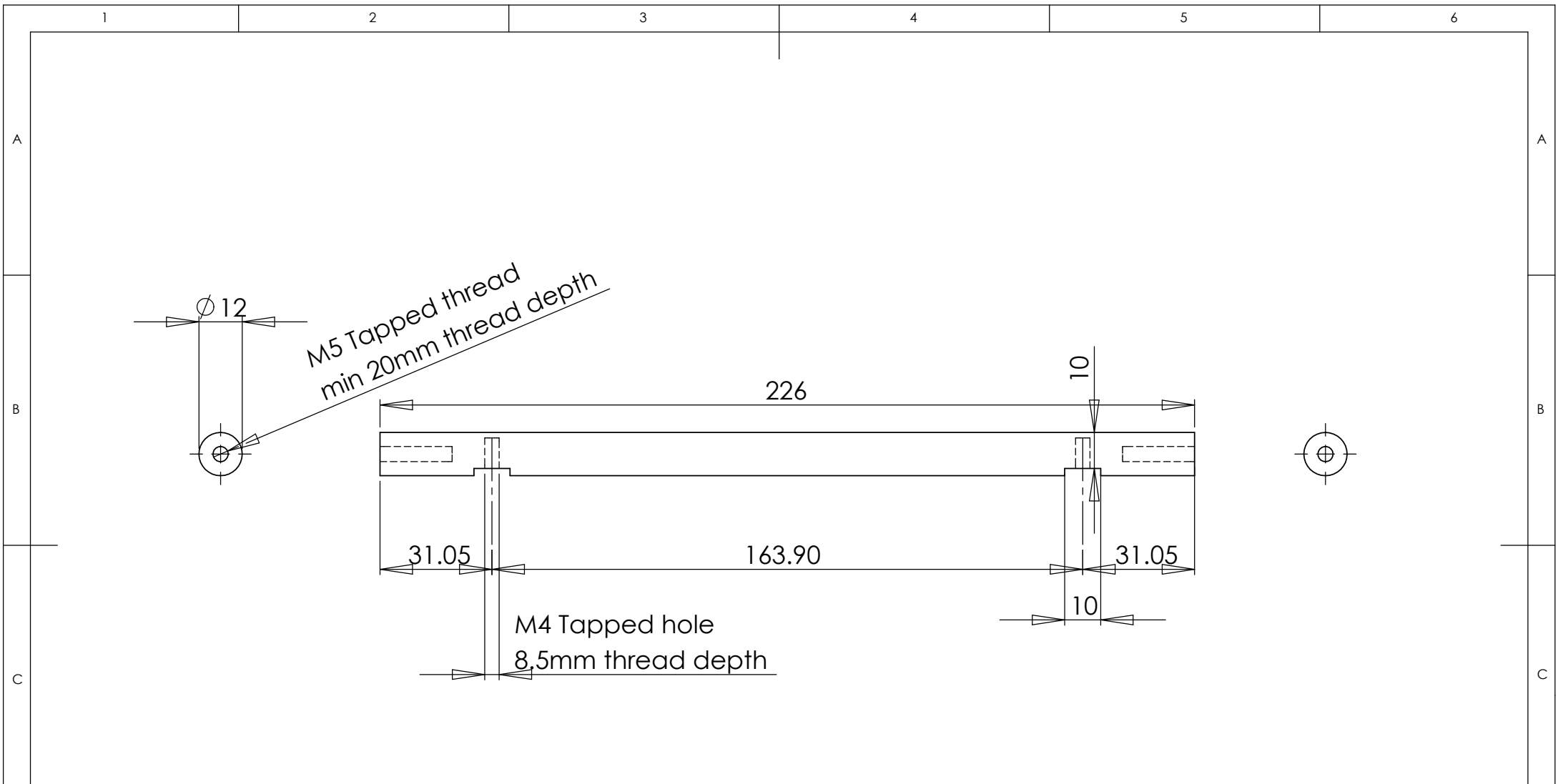
Ø M5 Tapped Holes
- Ø 4.2mm
10mm Deep



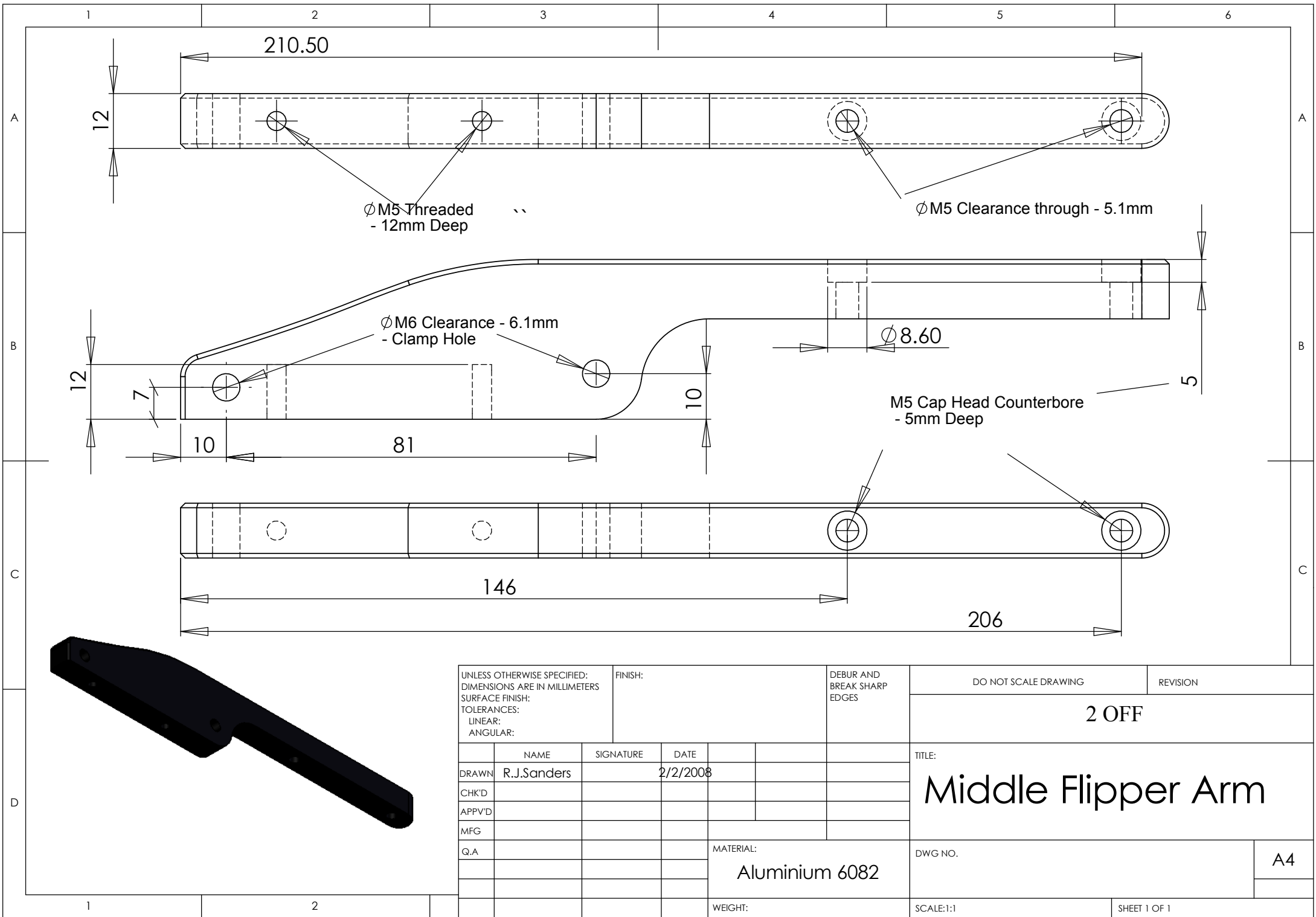
UNLESS OTHERWISE SPECIFIED: DIMENSIONS ARE IN MILLIMETERS SURFACE FINISH: TOLERANCES: LINEAR: ANGULAR:				FINISH:		DEBUR AND BREAK SHARP EDGES		DO NOT SCALE DRAWING		REVISION			
								2 OFF					
								TITLE:					
								Low Profile Bracket					
								MATERIAL: Aluminium 6082		DWG NO.		A4	
								WEIGHT:		SCALE:2:1		SHEET 1 OF 1	

	NAME	SIGNATURE	DATE
DRAWN	r.j.Sanders		2/2/2008
CHK'D			
APPV'D			
MFG			
Q.A			

TITLE:		Low Profile Bracket	
DWG NO.		A4	

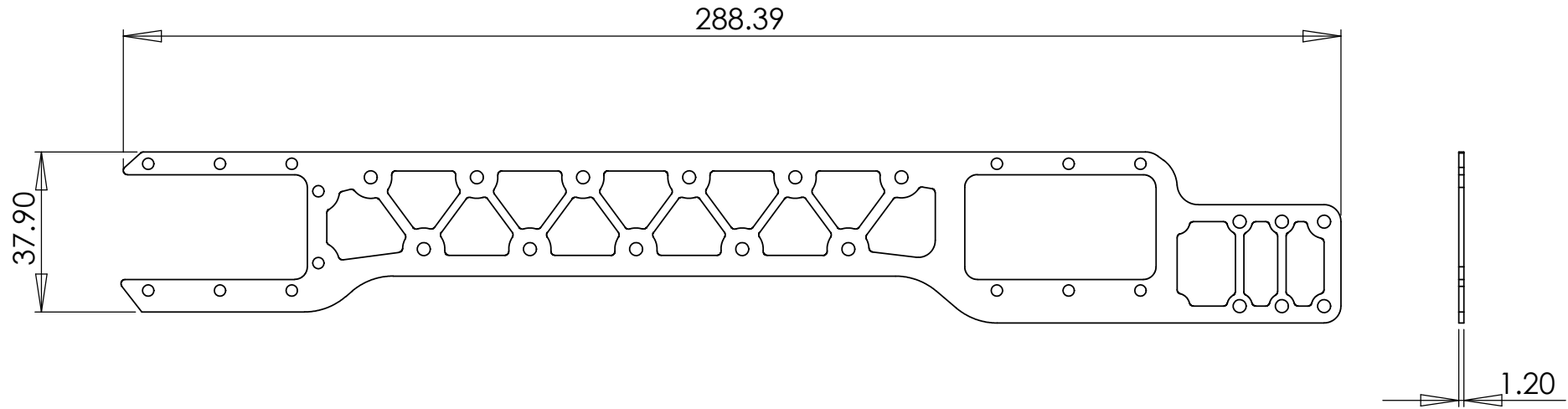


UNLESS OTHERWISE SPECIFIED: DIMENSIONS ARE IN MILLIMETERS SURFACE FINISH: TOLERANCES: LINEAR: ANGULAR:				FINISH: Self Colour		DEBUR AND BREAK SHARP EDGES		DO NOT SCALE DRAWING		REVISION	
								1 OFF			
								TITLE:			
				DRAWN		A.J.Smith		DATE		29.01.08	
				CHK'D							
				APPV'D							
				MFG							
				Q.A				MATERIAL:		Aluminium 6082	
								DWG NO.		Mid brace	
								WEIGHT:		A4	
								SCALE:1:1.5		SHEET 1 OF 1	

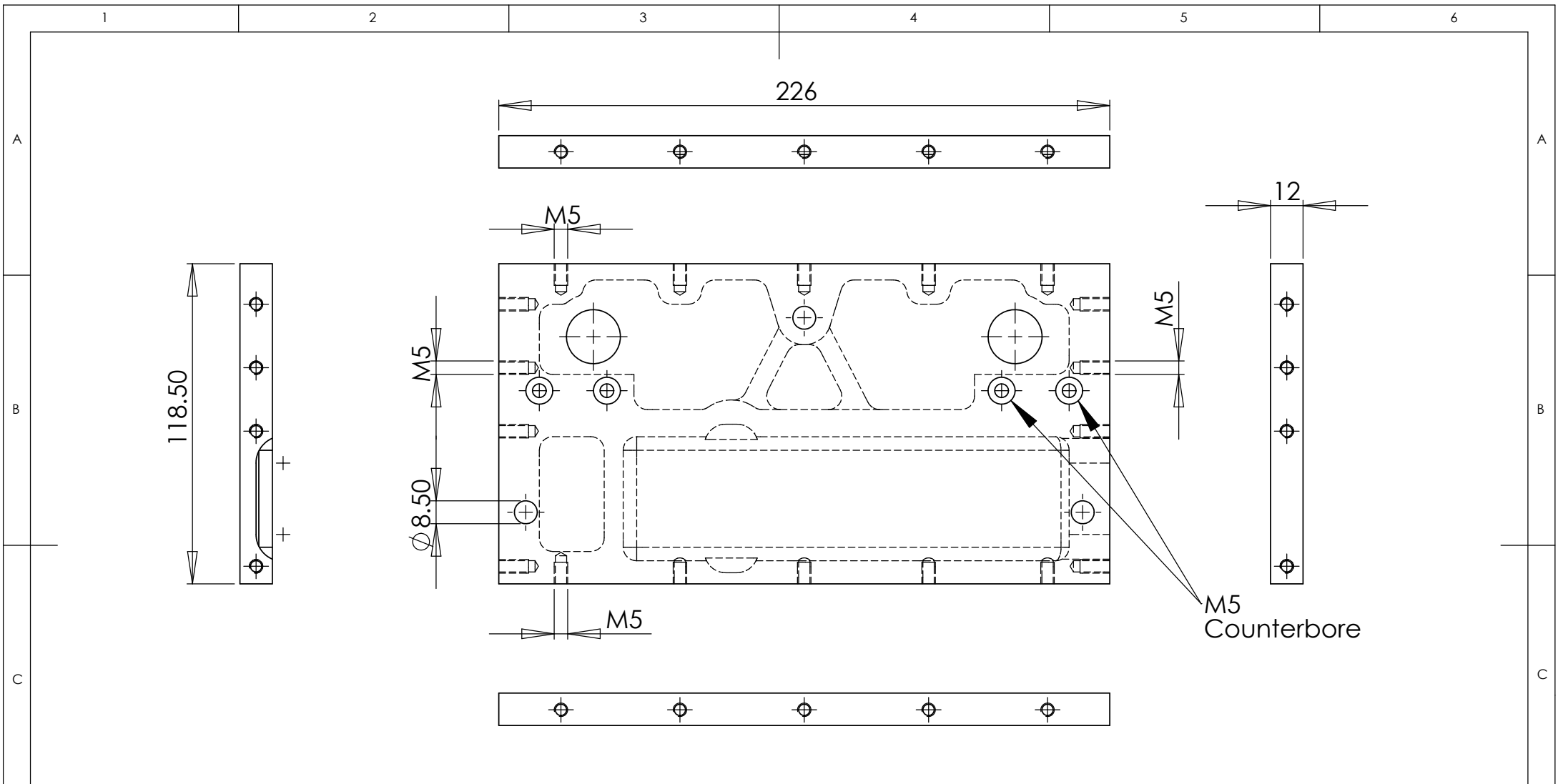


UNLESS OTHERWISE SPECIFIED: DIMENSIONS ARE IN MILLIMETERS SURFACE FINISH: TOLERANCES: LINEAR: ANGULAR:				FINISH:		DEBUR AND BREAK SHARP EDGES		DO NOT SCALE DRAWING		REVISION	
								2 OFF			
								TITLE:			
								Middle Flipper Arm			
						MATERIAL:		DWG NO.		A4	
						Aluminium 6082					
						WEIGHT:		SCALE:1:1		SHEET 1 OF 1	

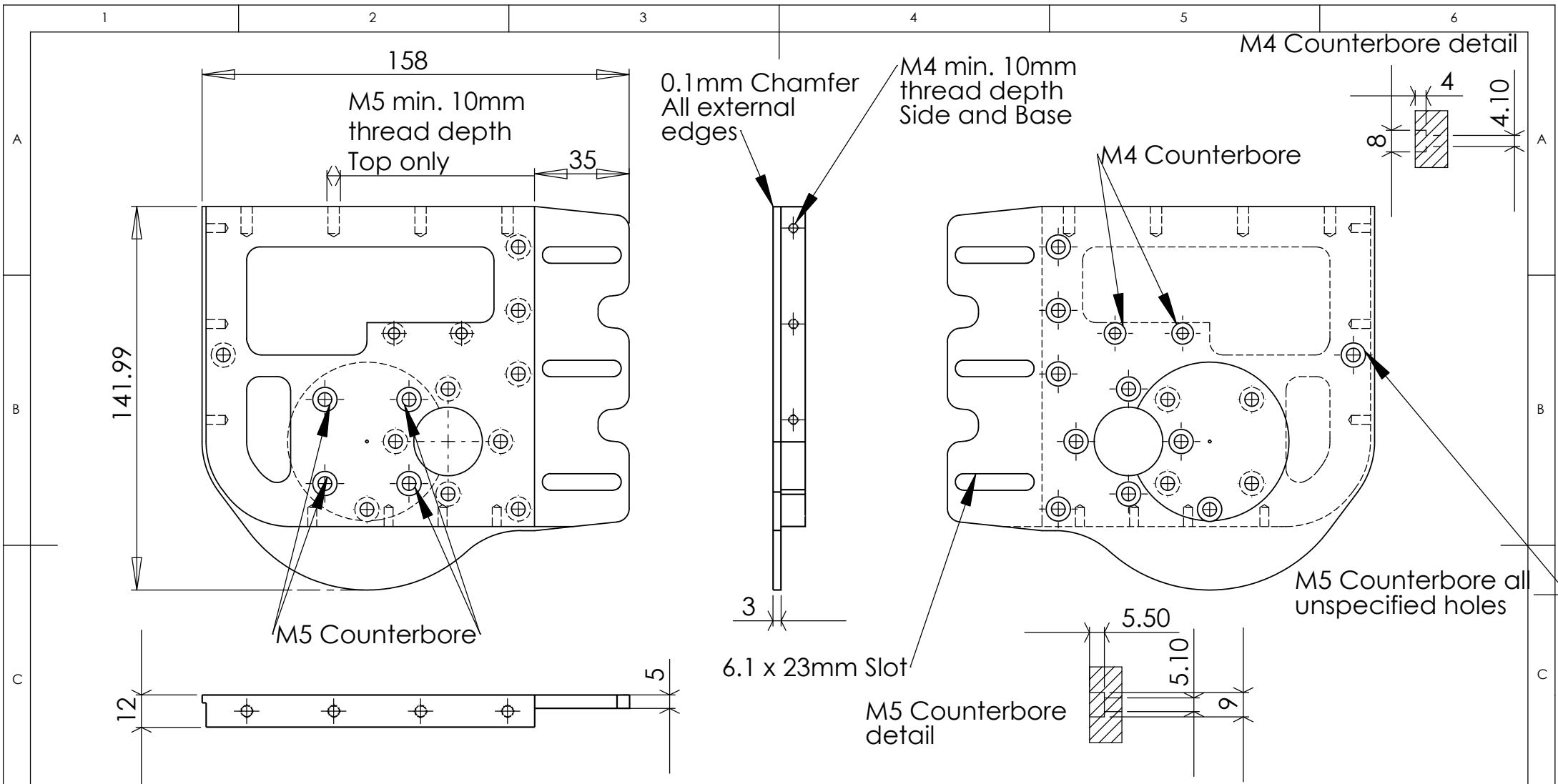
	NAME	SIGNATURE	DATE
DRAWN	R.J.Sanders		2/2/2008
CHK'D			
APPV'D			
MFG			
Q.A			



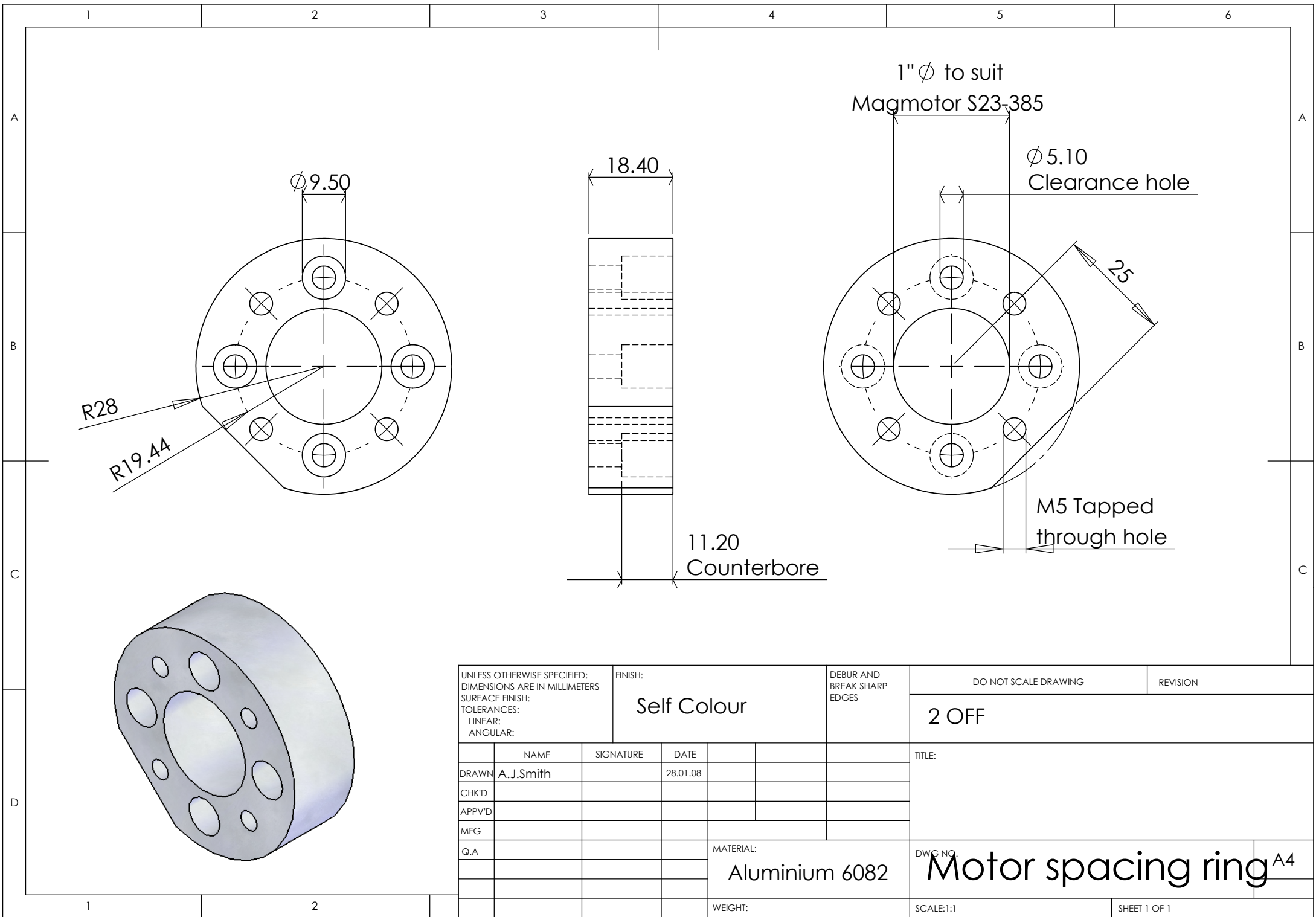
UNLESS OTHERWISE SPECIFIED: DIMENSIONS ARE IN MILLIMETERS SURFACE FINISH: TOLERANCES: LINEAR: ANGULAR:				FINISH: Self Colour		DEBUR AND BREAK SHARP EDGES		DO NOT SCALE DRAWING		REVISION	
								2 OFF			
								TITLE:			
DRAWN		A.J.Smith		DATE		26.03.08					
CHK'D		R.J.Sanders		DATE		26.03.08					
APPV'D				DATE							
MFG				DATE							
Q.A				DATE				MATERIAL:		DWG NO.	
								1.2mm Stainless		Middle Side Plate A4	
								WEIGHT:		SCALE:1:1.5 SHEET 1 OF 1	



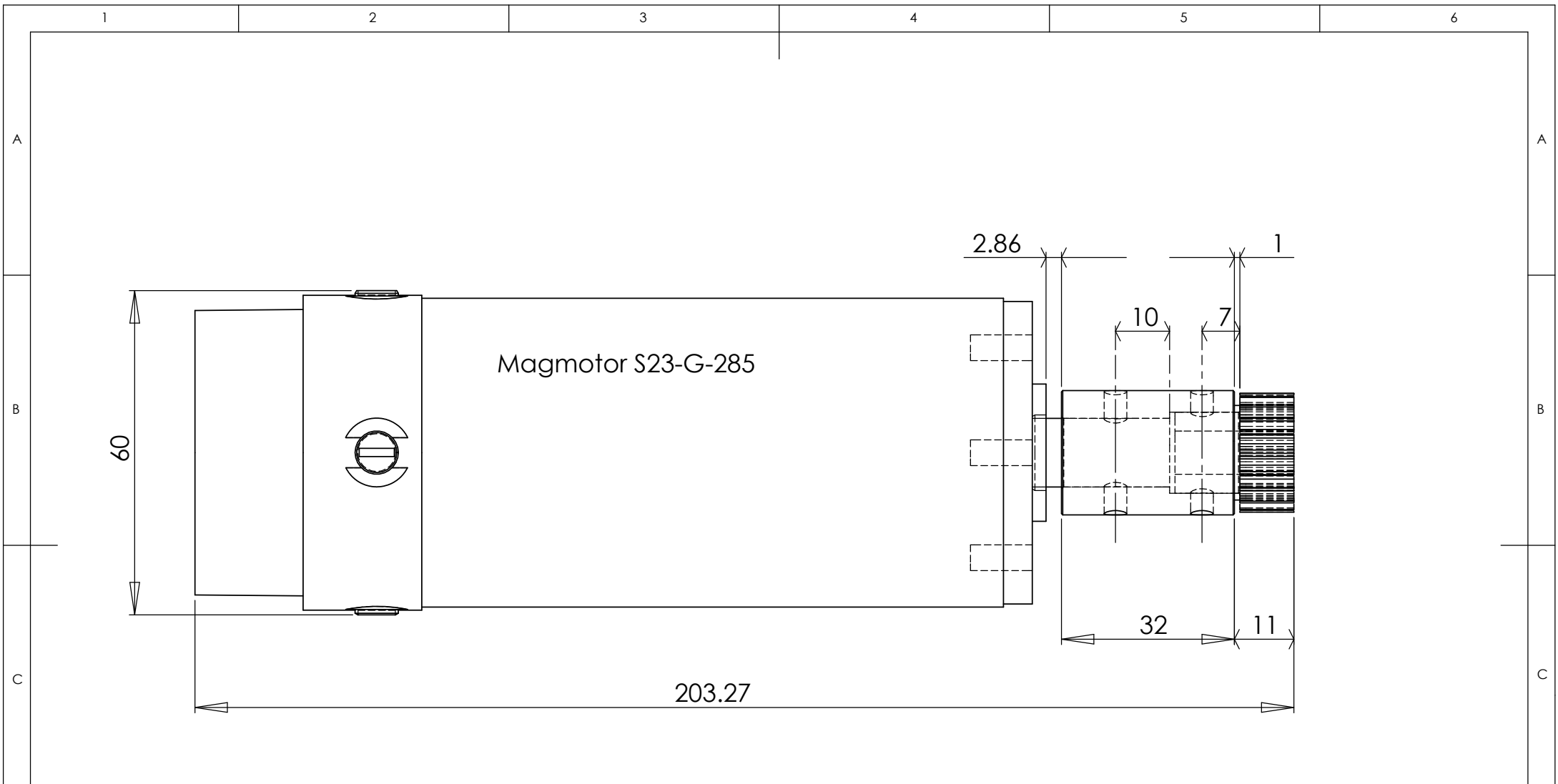
UNLESS OTHERWISE SPECIFIED: DIMENSIONS ARE IN MILLIMETERS SURFACE FINISH: TOLERANCES: LINEAR: ANGULAR:				FINISH: Self Colour		DEBUR AND BREAK SHARP EDGES		DO NOT SCALE DRAWING		REVISION	
								TITLE:			
DRAWN A.J.Smith				SIGNATURE		DATE 18.02.08					
CHK'D											
APPV'D											
MFG											
Q.A											
						MATERIAL: Aluminium 6082 - T6		DWG NO.		Motor box front plate	
						WEIGHT:		SCALE:1:2		SHEET 1 OF 1	



UNLESS OTHERWISE SPECIFIED: DIMENSIONS ARE IN MILLIMETERS SURFACE FINISH: TOLERANCES: LINEAR: ANGULAR:				FINISH: Self Colour		DEBUR AND BREAK SHARP EDGES		DO NOT SCALE DRAWING		REVISION	
								1 OFF			
								TITLE:			
DRAWN				NAME		SIGNATURE		DATE			
CHK'D				A.J.Smith				04.02.08			
APPV'D											
MFG											
Q.A								MATERIAL:		MATERIAL:	
								Aluminium 6082		DWG NO: Motor left_plate	
								WEIGHT:		A4	
								SCALE:1:2		SHEET 1 OF 1	

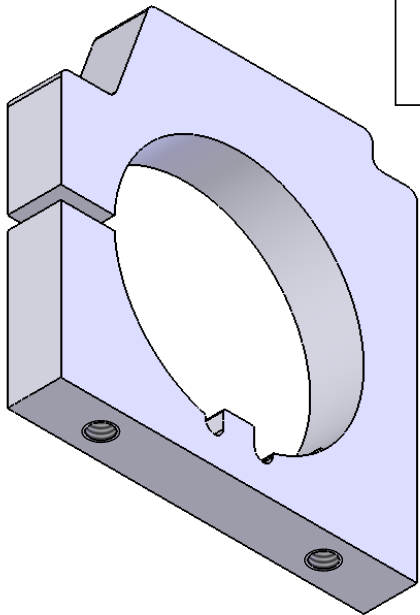
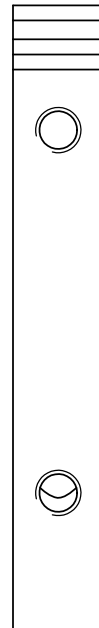
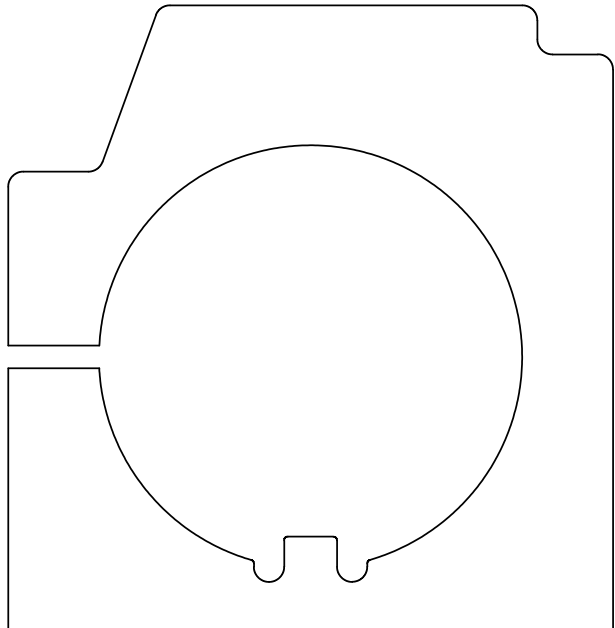
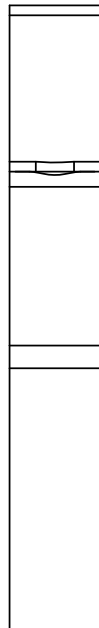
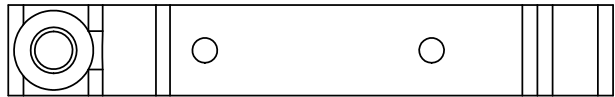


UNLESS OTHERWISE SPECIFIED: DIMENSIONS ARE IN MILLIMETERS SURFACE FINISH: TOLERANCES: LINEAR: ANGULAR:				FINISH: Self Colour		DEBUR AND BREAK SHARP EDGES		DO NOT SCALE DRAWING		REVISION	
								2 OFF			
								TITLE:			
DRAWN A.J.Smith				SIGNATURE		DATE 28.01.08					
CHK'D											
APPV'D											
MFG											
Q.A						MATERIAL: Aluminium 6082		DWG NO.		Motor spacing ring A4	
						WEIGHT:		SCALE:1:1		SHEET 1 OF 1	



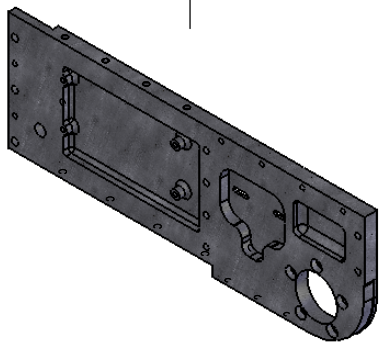
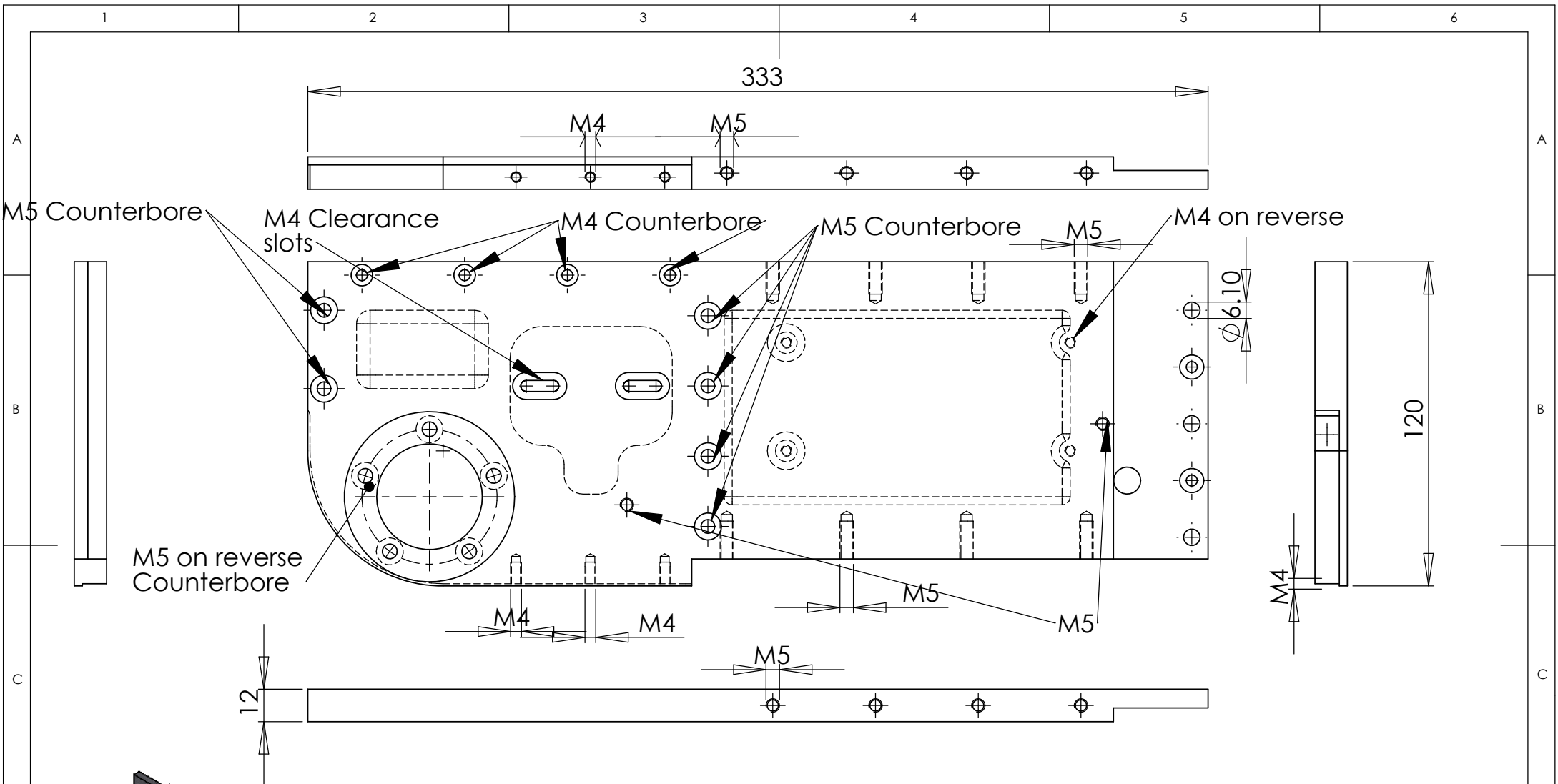
UNLESS OTHERWISE SPECIFIED: DIMENSIONS ARE IN MILLIMETERS SURFACE FINISH: TOLERANCES: LINEAR: ANGULAR:				FINISH:		DEBUR AND BREAK SHARP EDGES		DO NOT SCALE DRAWING		REVISION	
								2 OFF Assemblies			
								TITLE:			
DRAWN A.J.Smith				SIGNATURE		DATE 30.01.08					
CHK'D											
APPV'D											
MFG											
Q.A						MATERIAL:		DWG NO.		A4	
								SCALE:1:1		SHEET 1 OF 1	
						WEIGHT:					

Motor-Gear Ass



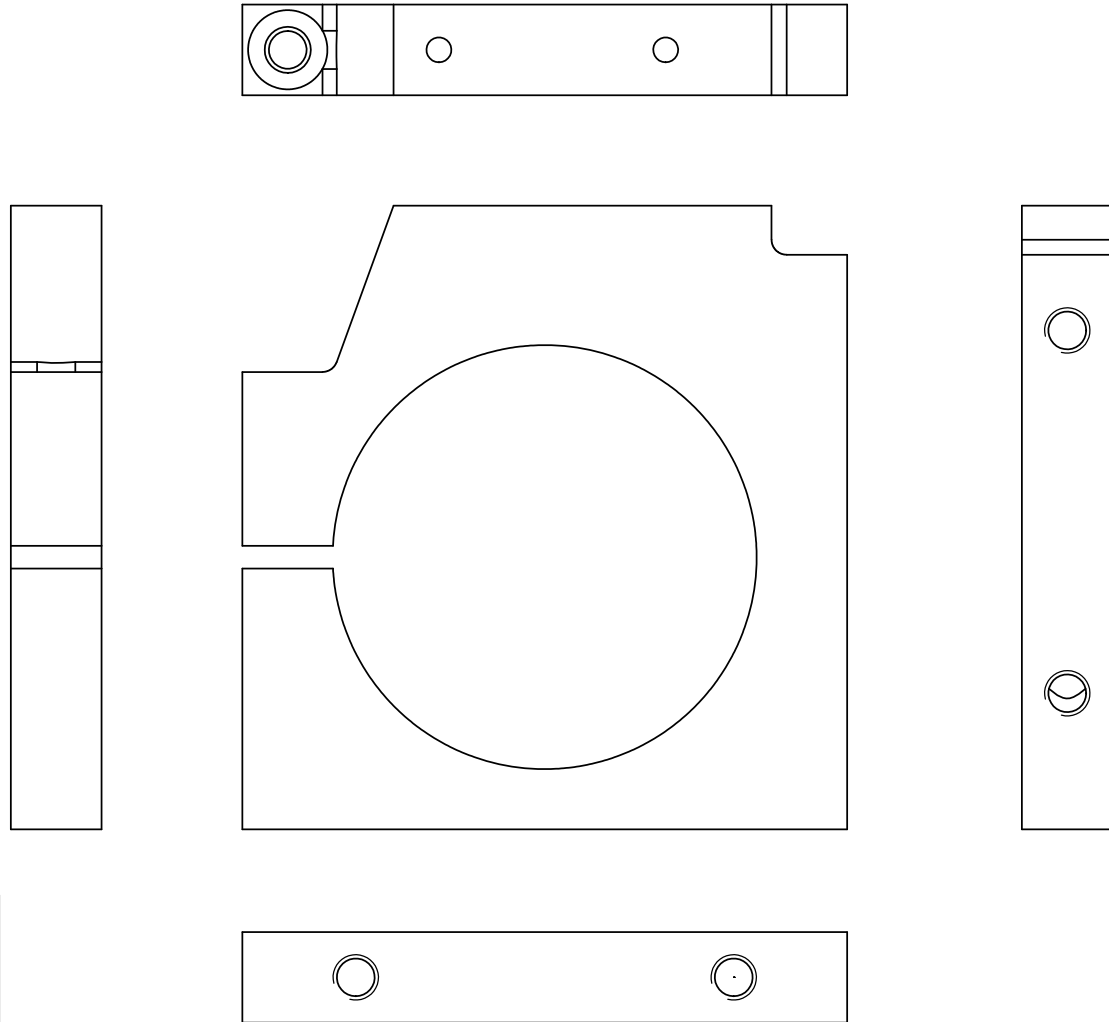
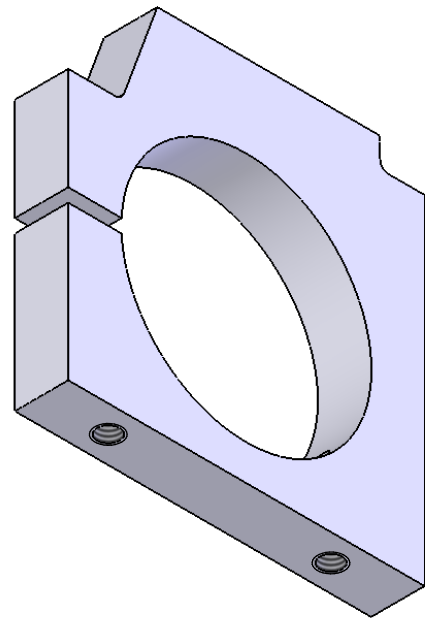
PROPRIETARY AND CONFIDENTIAL
 THE INFORMATION CONTAINED IN THIS DRAWING IS THE SOLE PROPERTY OF <INSERT COMPANY NAME HERE>. ANY REPRODUCTION IN PART OR AS A WHOLE WITHOUT THE WRITTEN PERMISSION OF <INSERT COMPANY NAME HERE> IS PROHIBITED.

		DIMENSIONS ARE IN INCHES		NAME	DATE	<COMPANY NAME>
		TOLERANCES:		DRAWN		
		FRACTIONAL ±		CHECKED		
		ANGULAR: MACH ± BEND ±		ENG APPR.		
		TWO PLACE DECIMAL ±		MFG APPR.		
		THREE PLACE DECIMAL ±		Q.A.		
		MATERIAL		COMMENTS:		SIZE DWG. NO. REV. A
NEXT ASSY	USED ON	FINISH				
APPLICATION		DO NOT SCALE DRAWING				
				SCALE:1:2	WEIGHT:	SHEET 1 OF 1



UNLESS OTHERWISE SPECIFIED: DIMENSIONS ARE IN MILLIMETERS SURFACE FINISH: TOLERANCES: LINEAR: ANGULAR:				FINISH: Self Colour		DEBUR AND BREAK SHARP EDGES		DO NOT SCALE DRAWING		REVISION	
								1 OFF		TITLE:	
DRAWN A.J.Smith				SIGNATURE		DATE 18.02.08					
CHK'D											
APPV'D											
MFG											
Q.A								MATERIAL: Aluminium 6082-T6		DWG NO. New Left Plate	
								WEIGHT:		SCALE:1:2	
										SHEET 1 OF 1	

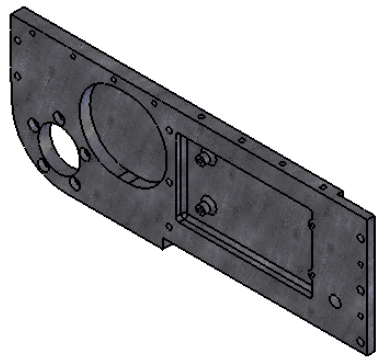
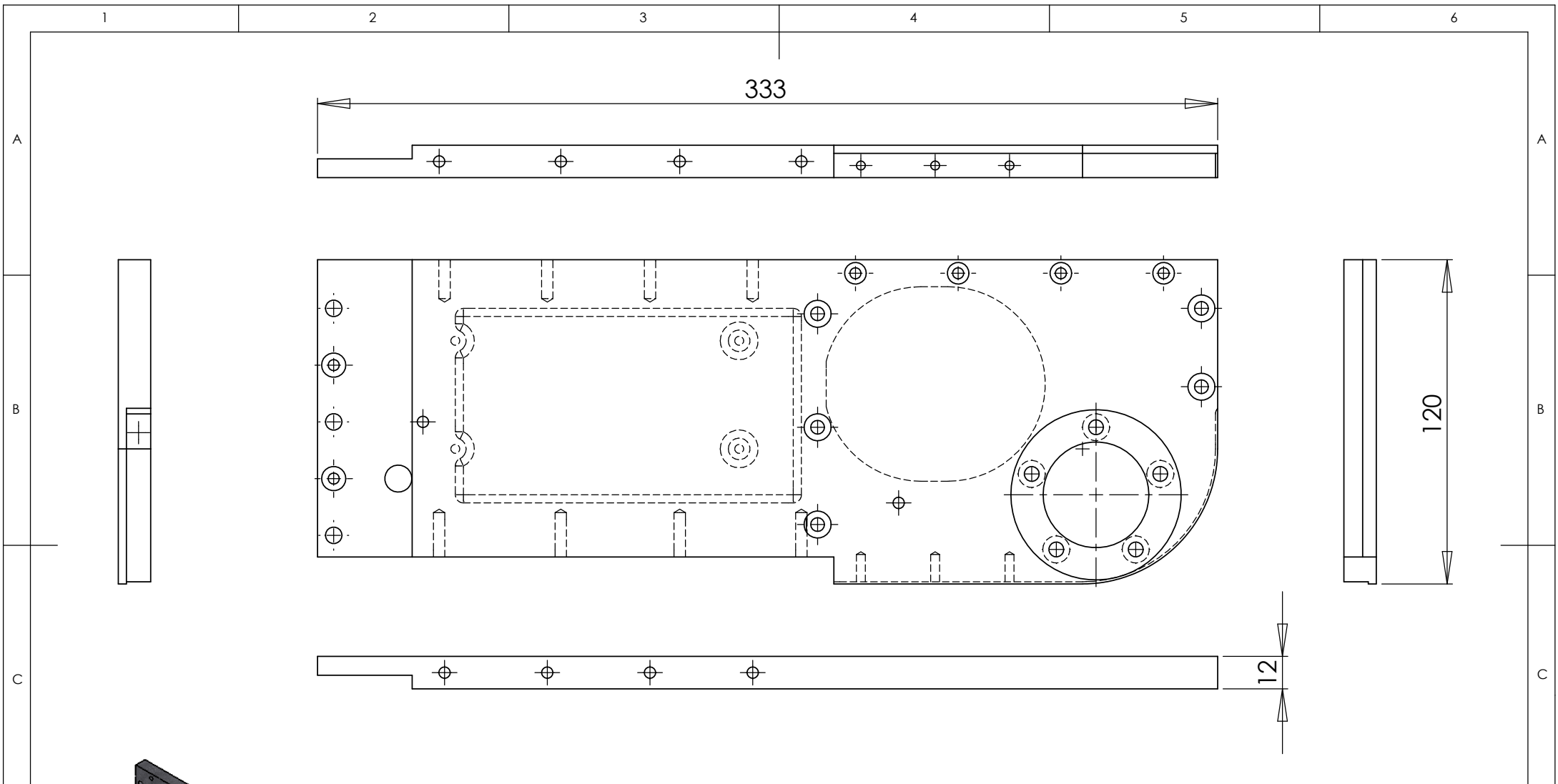
A4



PROPRIETARY AND CONFIDENTIAL
 THE INFORMATION CONTAINED IN THIS DRAWING IS THE SOLE PROPERTY OF <INSERT COMPANY NAME HERE>. ANY REPRODUCTION IN PART OR AS A WHOLE WITHOUT THE WRITTEN PERMISSION OF <INSERT COMPANY NAME HERE> IS PROHIBITED.

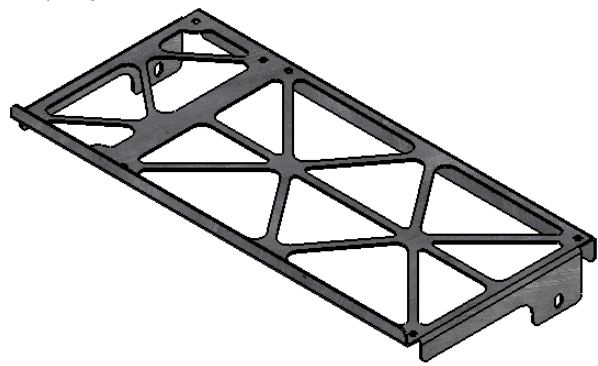
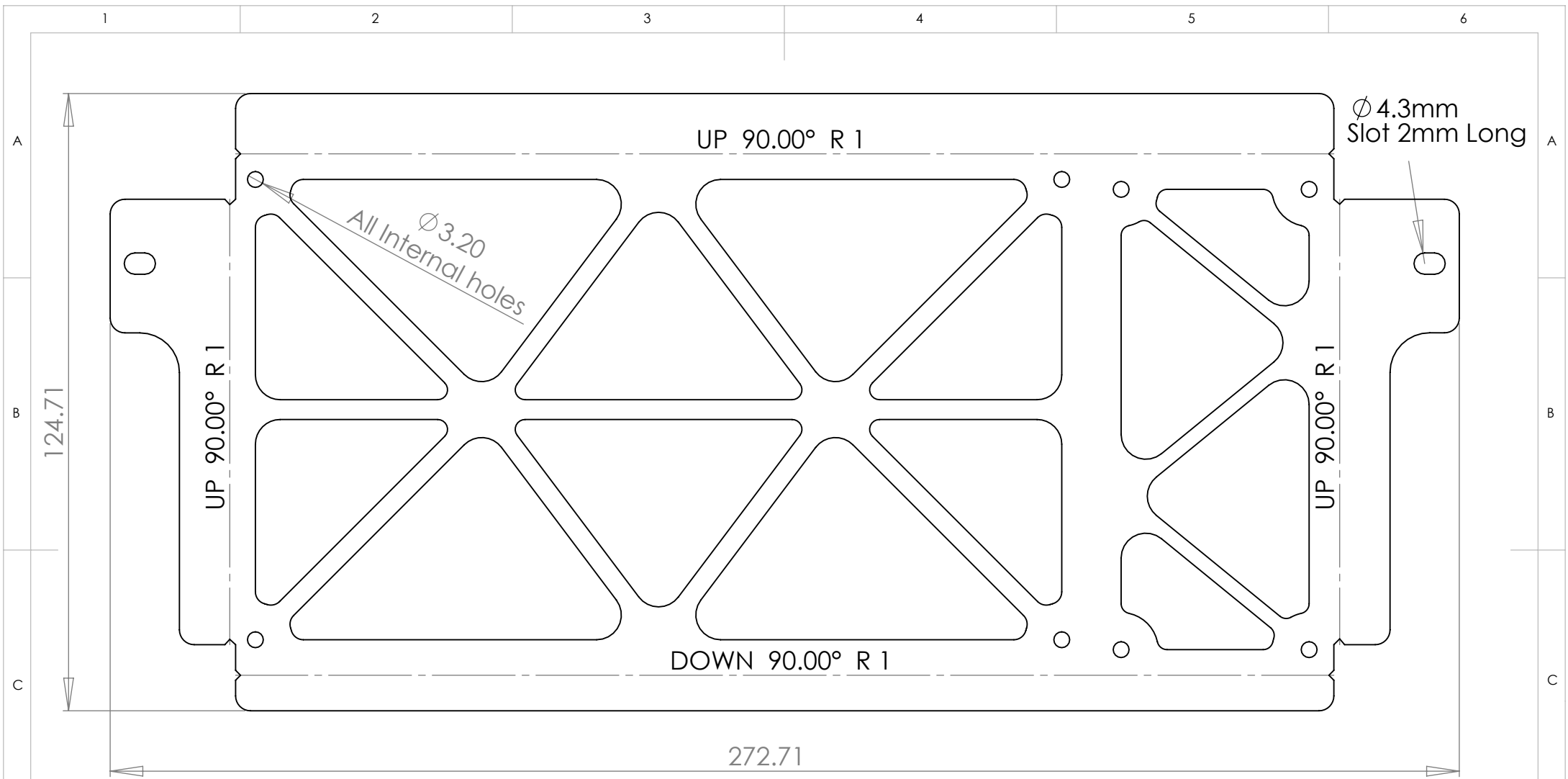
		DIMENSIONS ARE IN INCHES TOLERANCES: FRACTIONAL ± ANGULAR: MACH ± BEND ± TWO PLACE DECIMAL ± THREE PLACE DECIMAL ±	NAME	DATE
			DRAWN	
			CHECKED	
			ENG APPR.	
			MFG APPR.	
		MATERIAL	Q.A.	
		FINISH	COMMENTS:	
NEXT ASSY	USED ON			
APPLICATION	DO NOT SCALE DRAWING			

<COMPANY NAME>		
SIZE	DWG. NO.	REV.
A		
SCALE: 1:2	WEIGHT:	SHEET 1 OF 1



UNLESS OTHERWISE SPECIFIED: DIMENSIONS ARE IN MILLIMETERS SURFACE FINISH: TOLERANCES: LINEAR: ANGULAR:				FINISH: Self Colour		DEBUR AND BREAK SHARP EDGES		DO NOT SCALE DRAWING		REVISION	
								1 OFF			
								TITLE:			
				MATERIAL: Aluminium 6082-T6		DWG NO: New Right Plate				A4	
				WEIGHT:		SCALE:1:2		SHEET 1 OF 1			

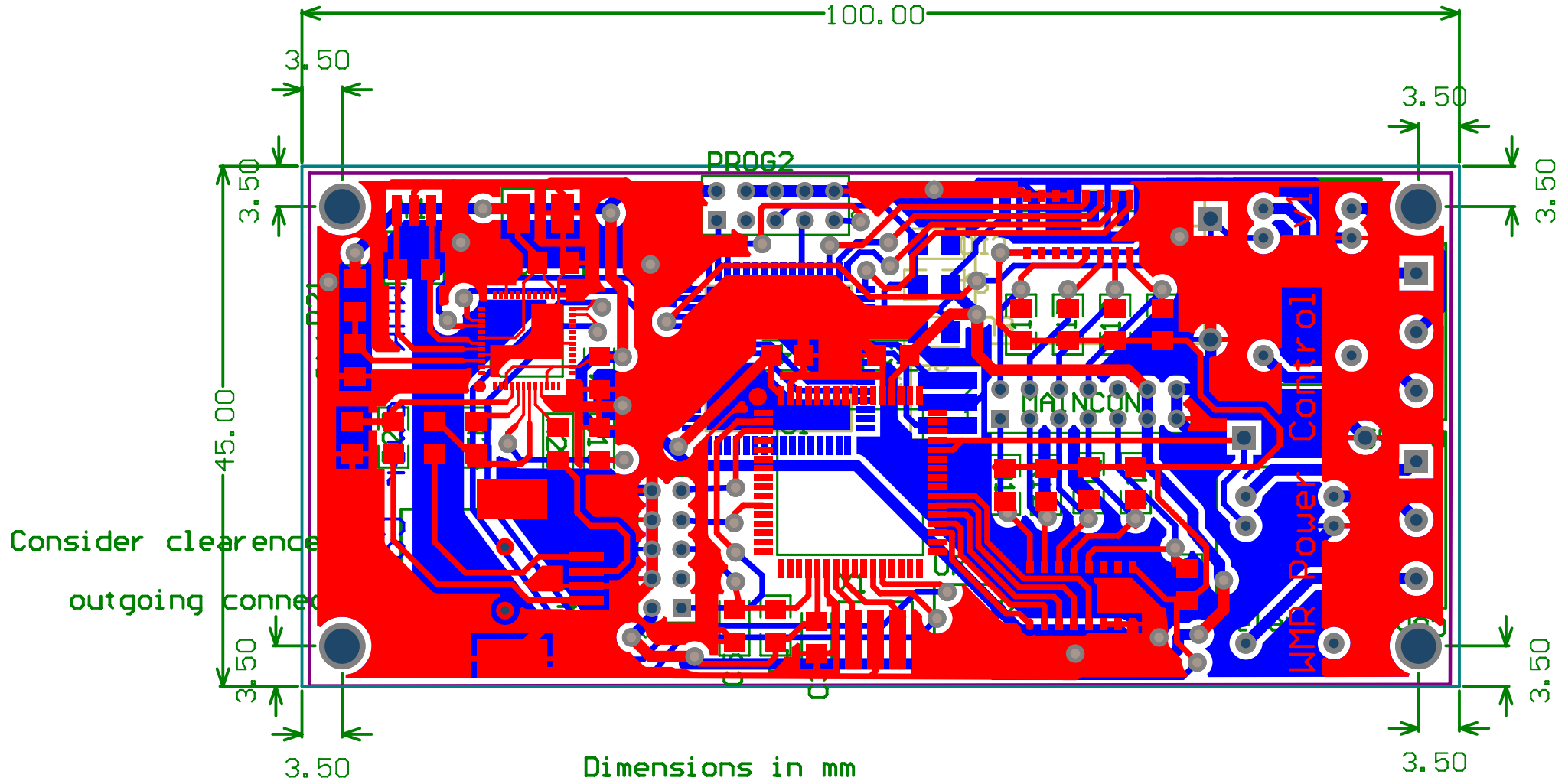
	NAME	SIGNATURE	DATE		
DRAWN	A.J.Smith		18.02.08		
CHK'D					
APPV'D					
MFG					
Q.A					



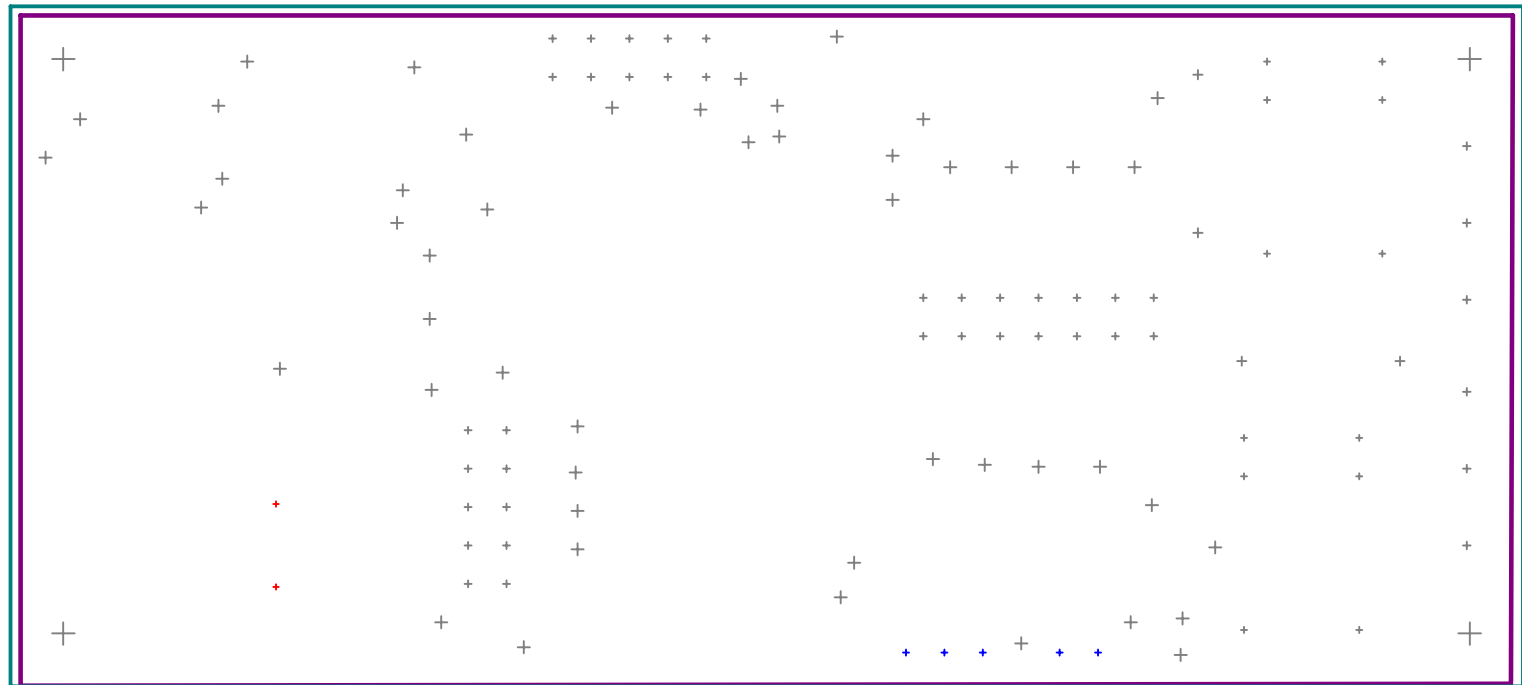
UNLESS OTHERWISE SPECIFIED: DIMENSIONS ARE IN MILLIMETERS SURFACE FINISH: TOLERANCES: LINEAR: ANGULAR:				FINISH: Standard Finish From Sheet		DEBUR AND BREAK SHARP EDGES	
	NAME	SIGNATURE	DATE				
DRAWN	R.J.SANDERS		15/04/08				
CHK'D	A.SMITH						
APPV'D							
MFG							
Q.A							
				MATERIAL: 1mm Aluminium Sheet			
				WEIGHT:			

DO NOT SCALE DRAWING		REVISION	
TITLE: PCB Mounting Bracket			
DWG NO.		A4	
SCALE:1:1		SHEET 1 OF 1	

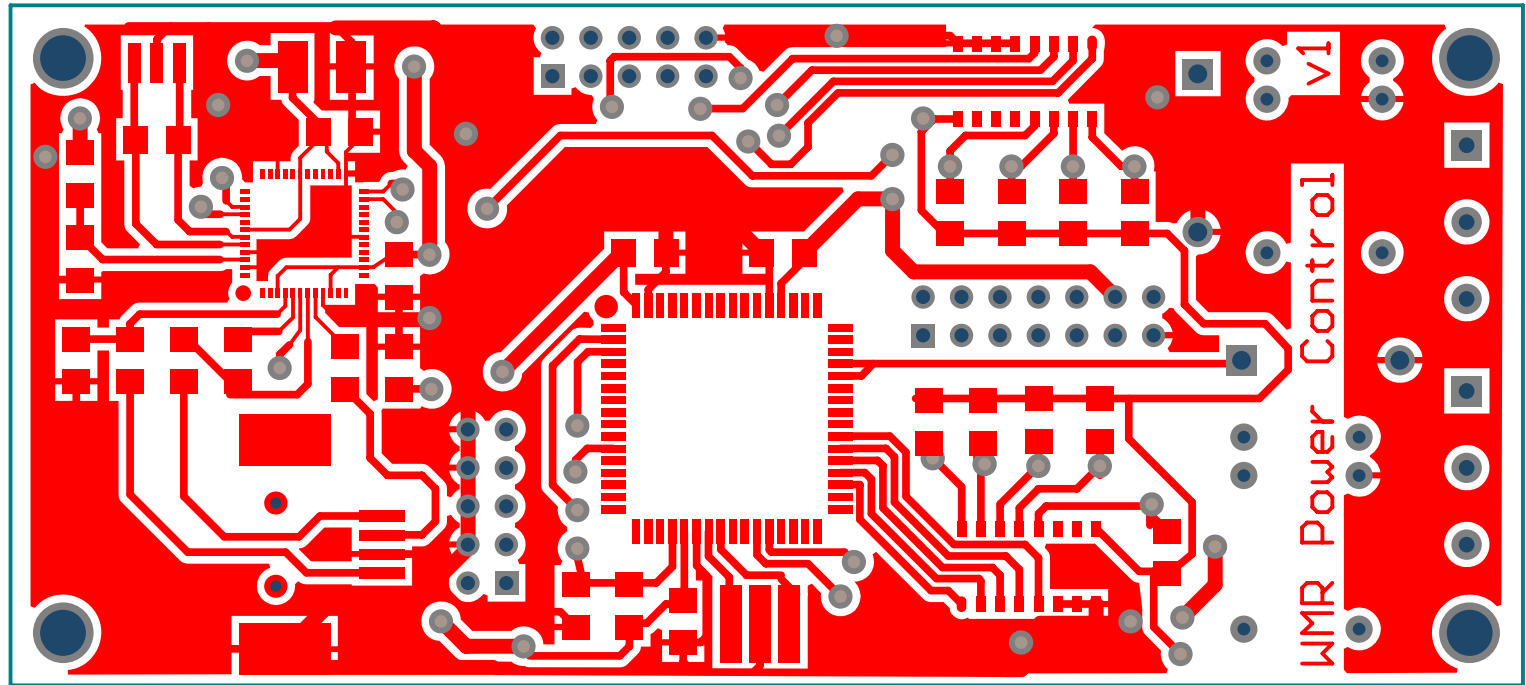
VIEW FROM TOP SIDE



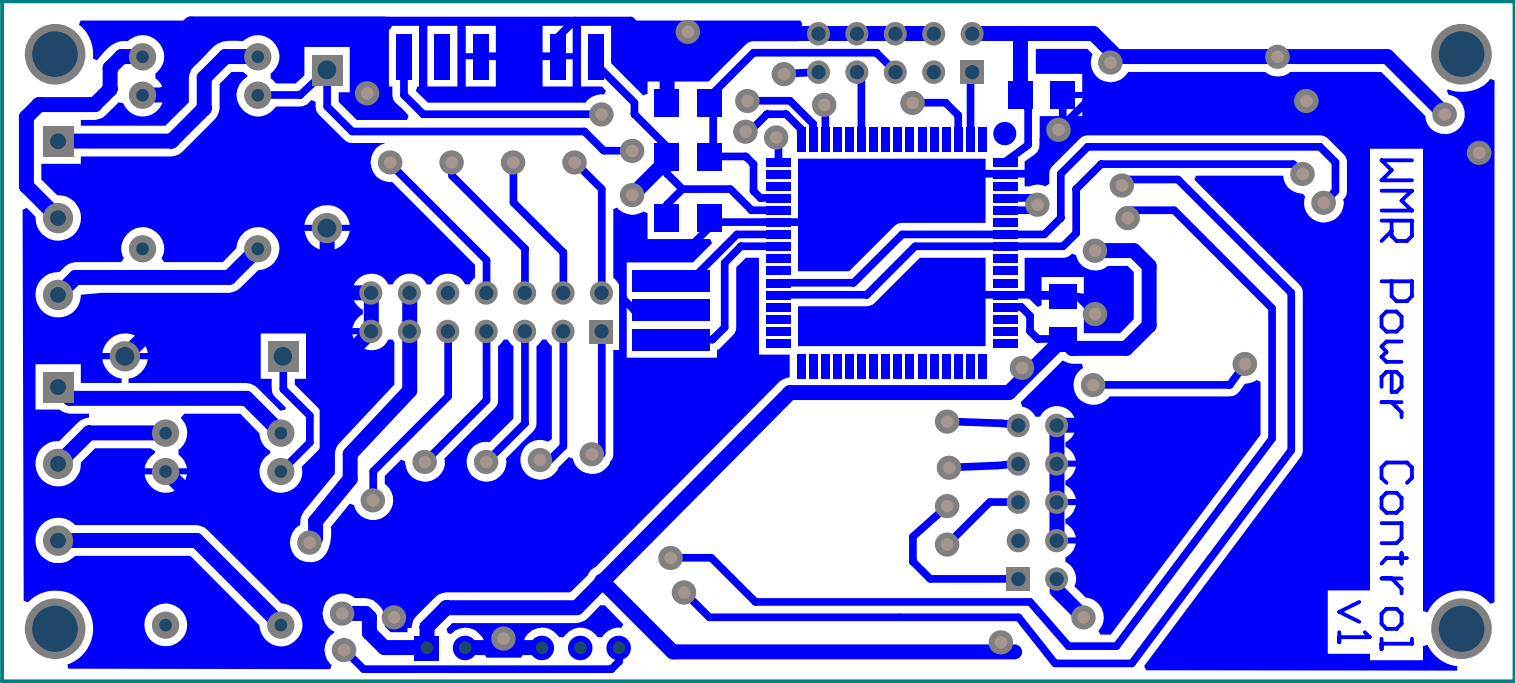
VIEW FROM TOP SIDE



VIEW FROM TOP SIDE

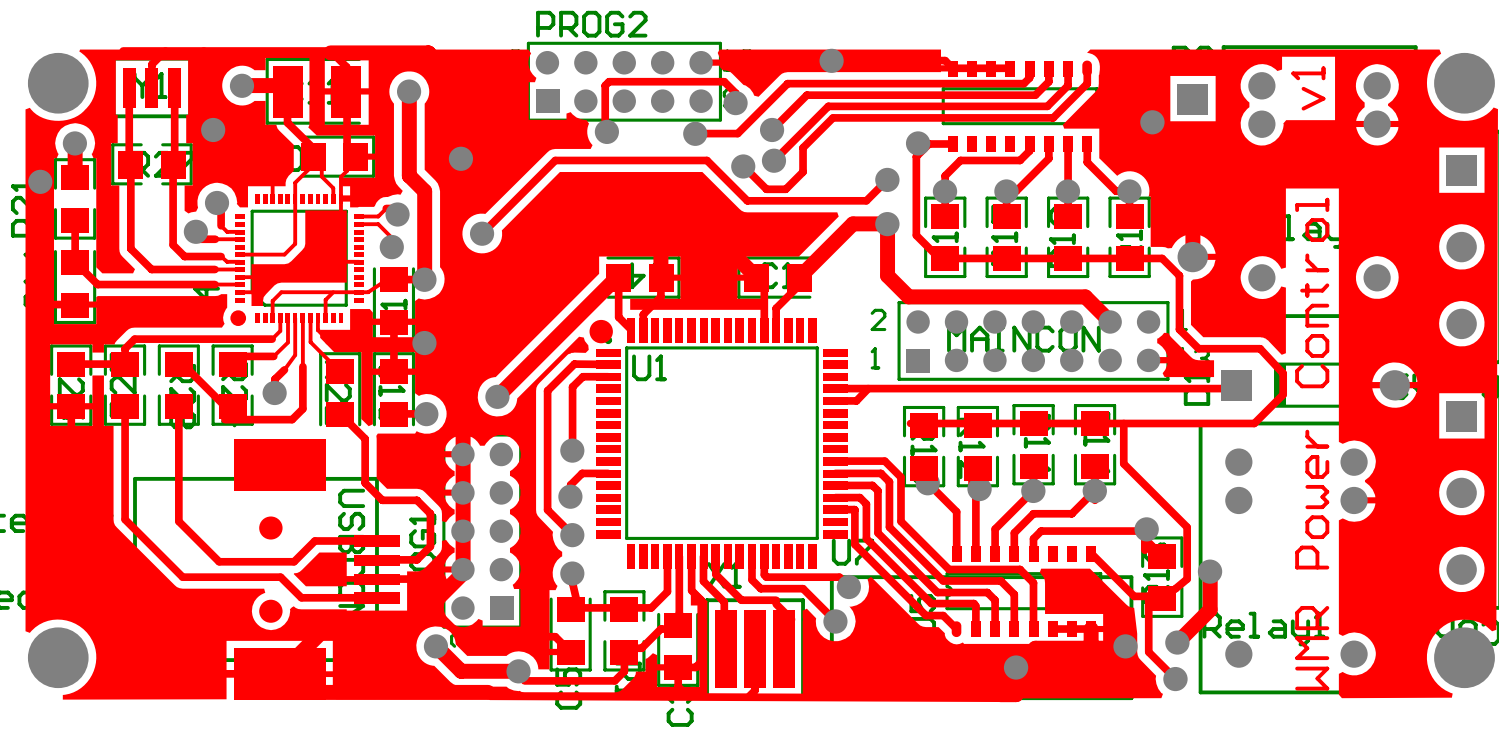


VIEW FROM BOTTOM SIDE

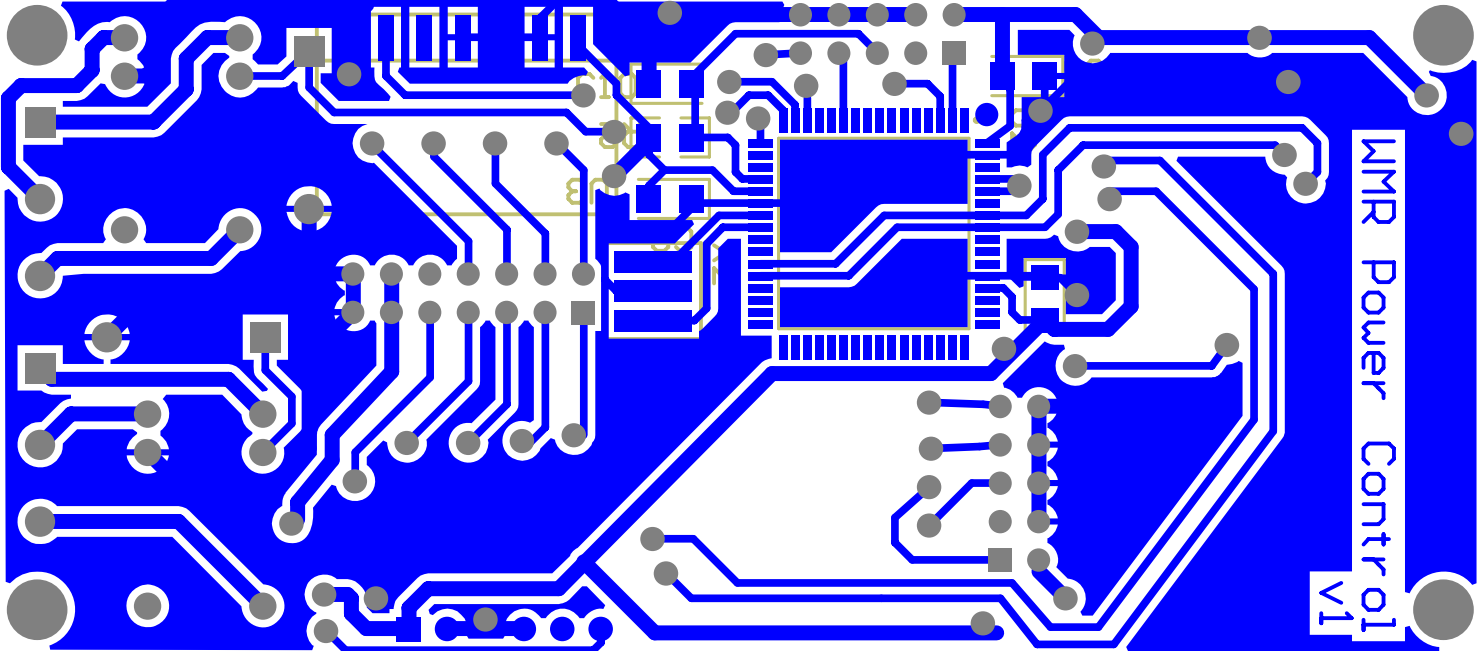


VIEW FROM TOP SIDE

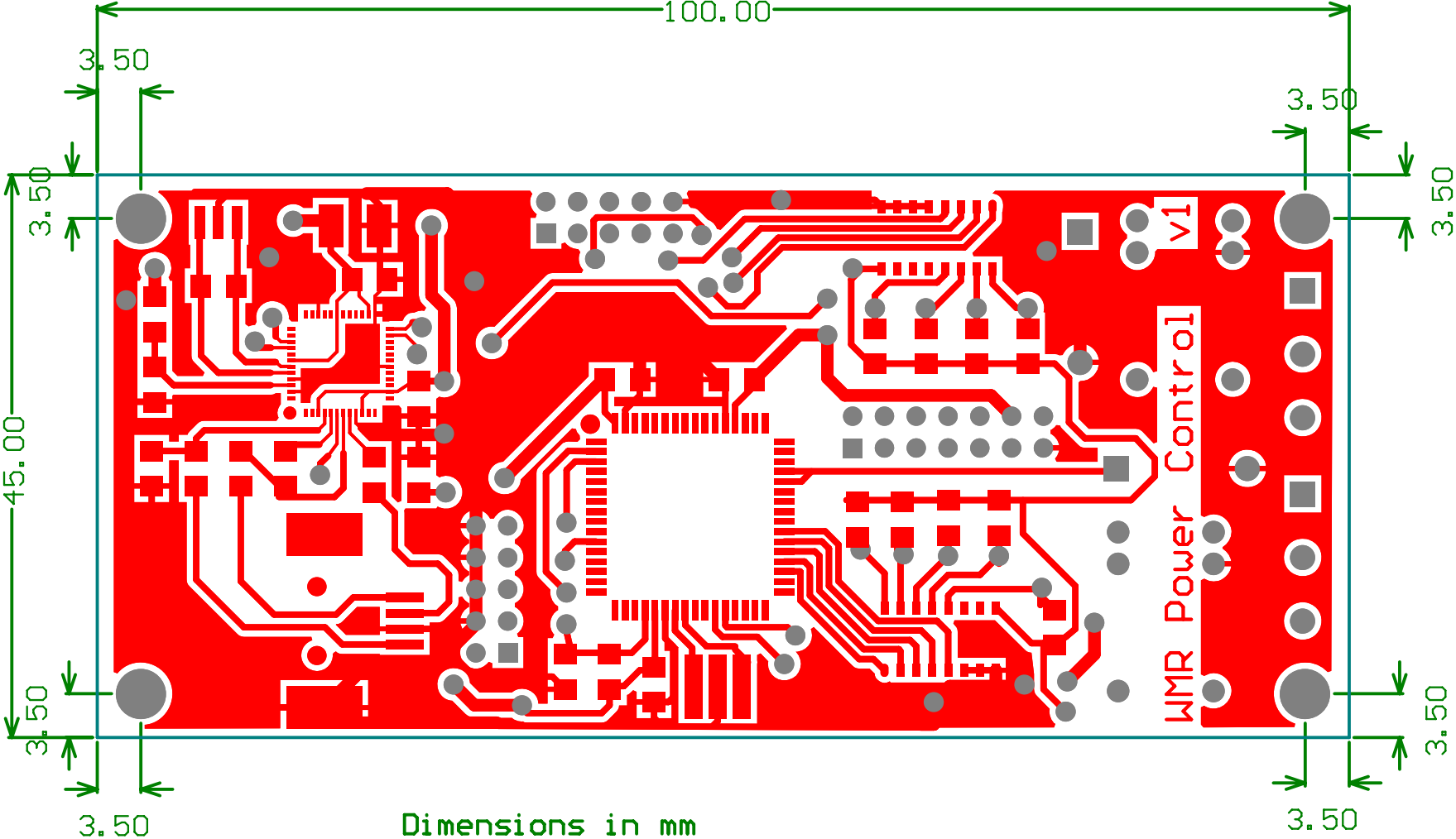
Consider clearance
outgoing connect

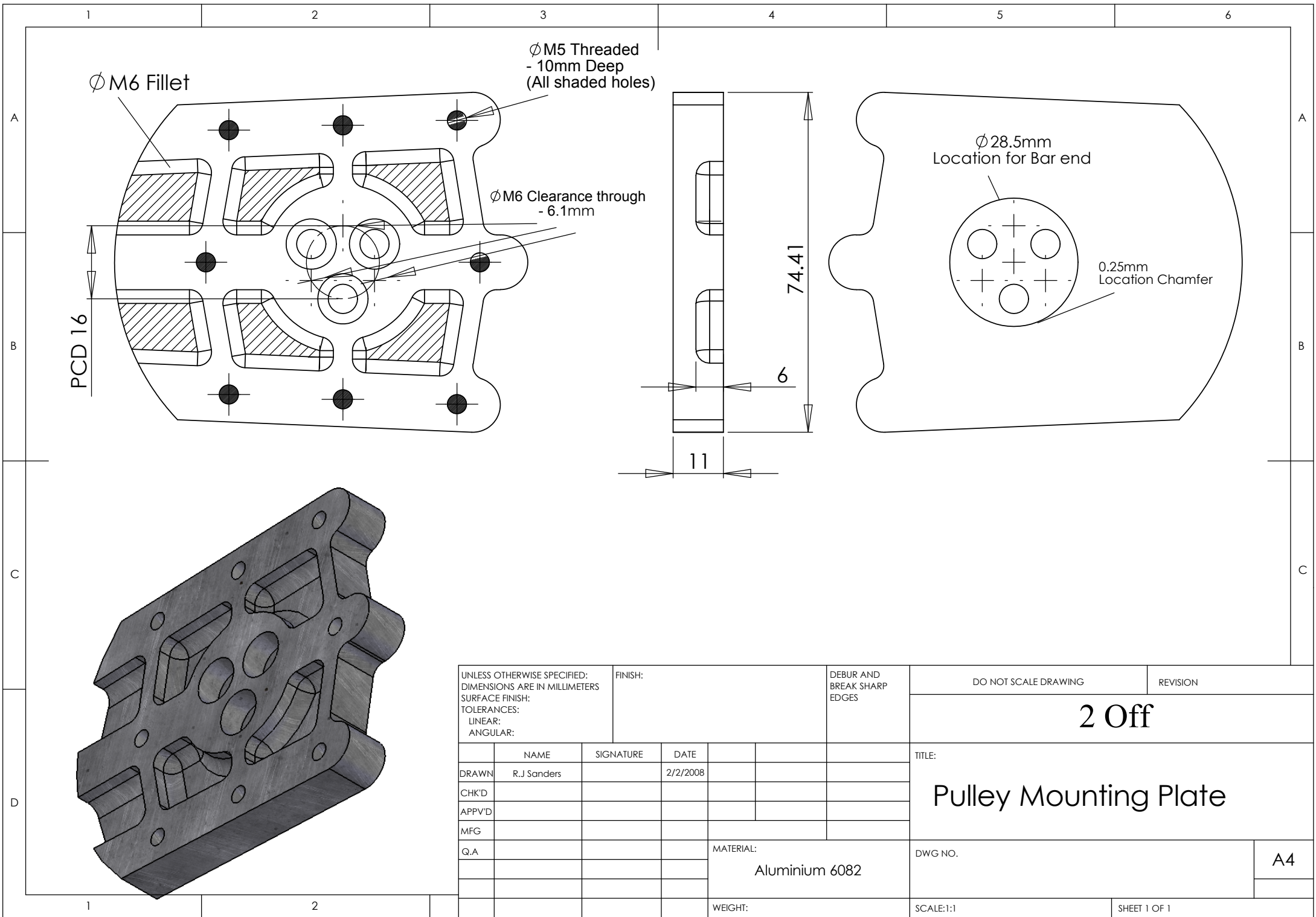


VIEW FROM BOTTOM SIDE

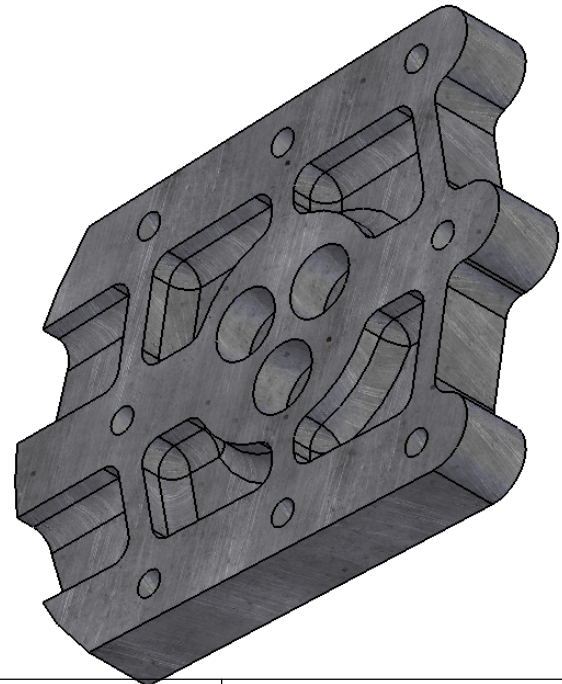


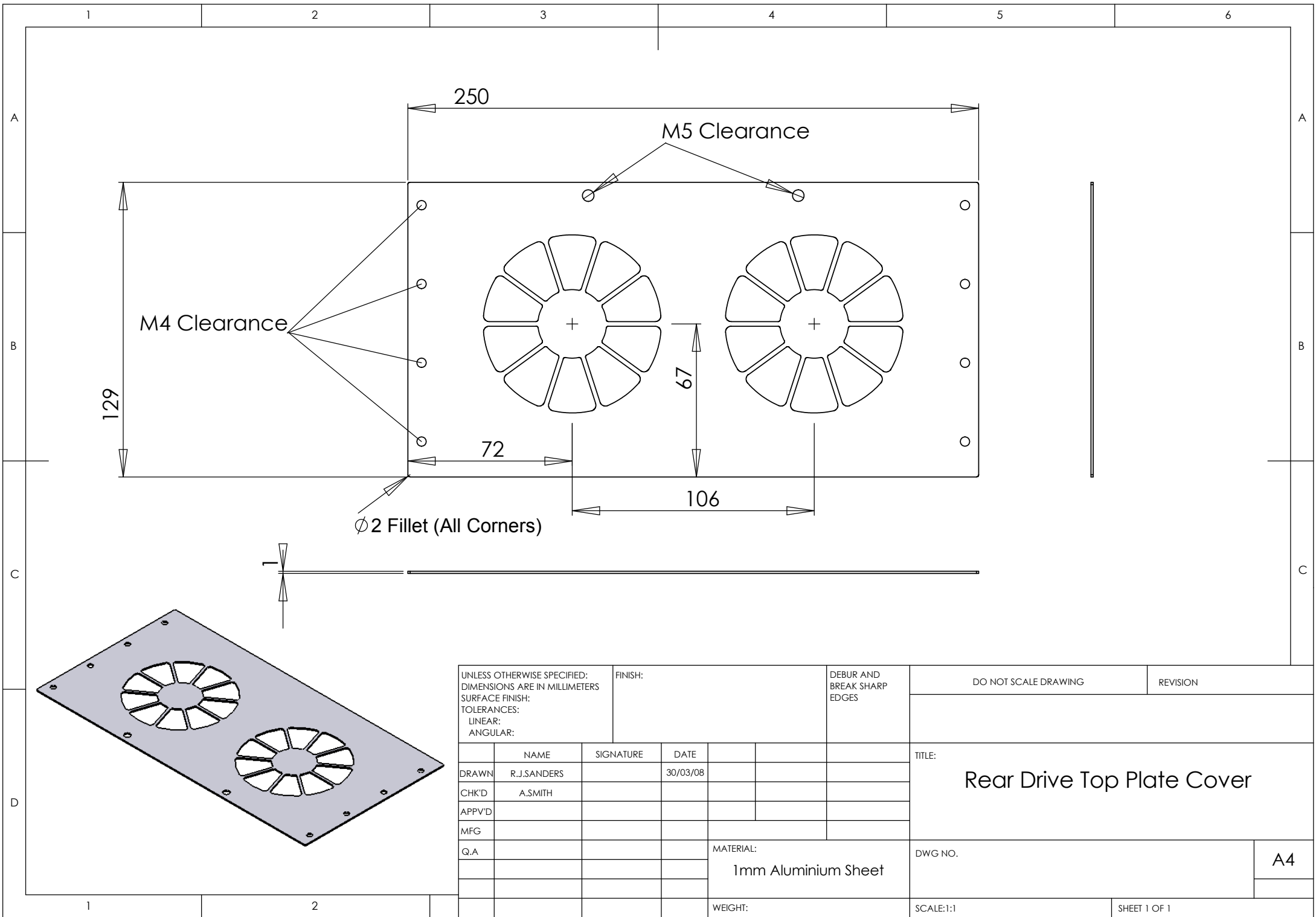
VIEW FROM TOP SIDE





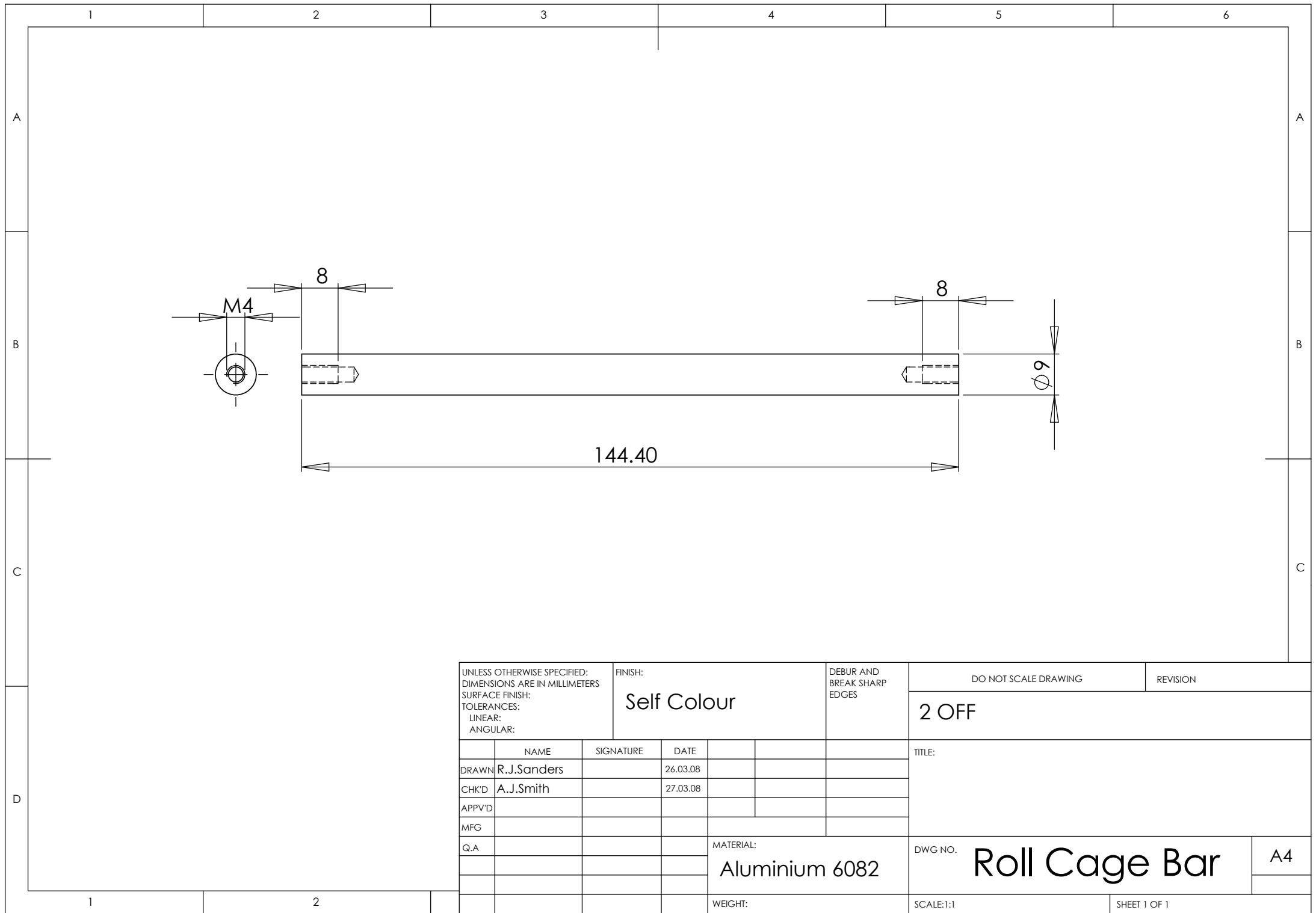
UNLESS OTHERWISE SPECIFIED: DIMENSIONS ARE IN MILLIMETERS SURFACE FINISH: TOLERANCES: LINEAR: ANGULAR:				FINISH:		DEBUR AND BREAK SHARP EDGES		DO NOT SCALE DRAWING		REVISION			
								2 Off					
								TITLE:					
								Pulley Mounting Plate					
								MATERIAL: Aluminium 6082		DWG NO.		A4	
								WEIGHT:		SCALE:1:1		SHEET 1 OF 1	



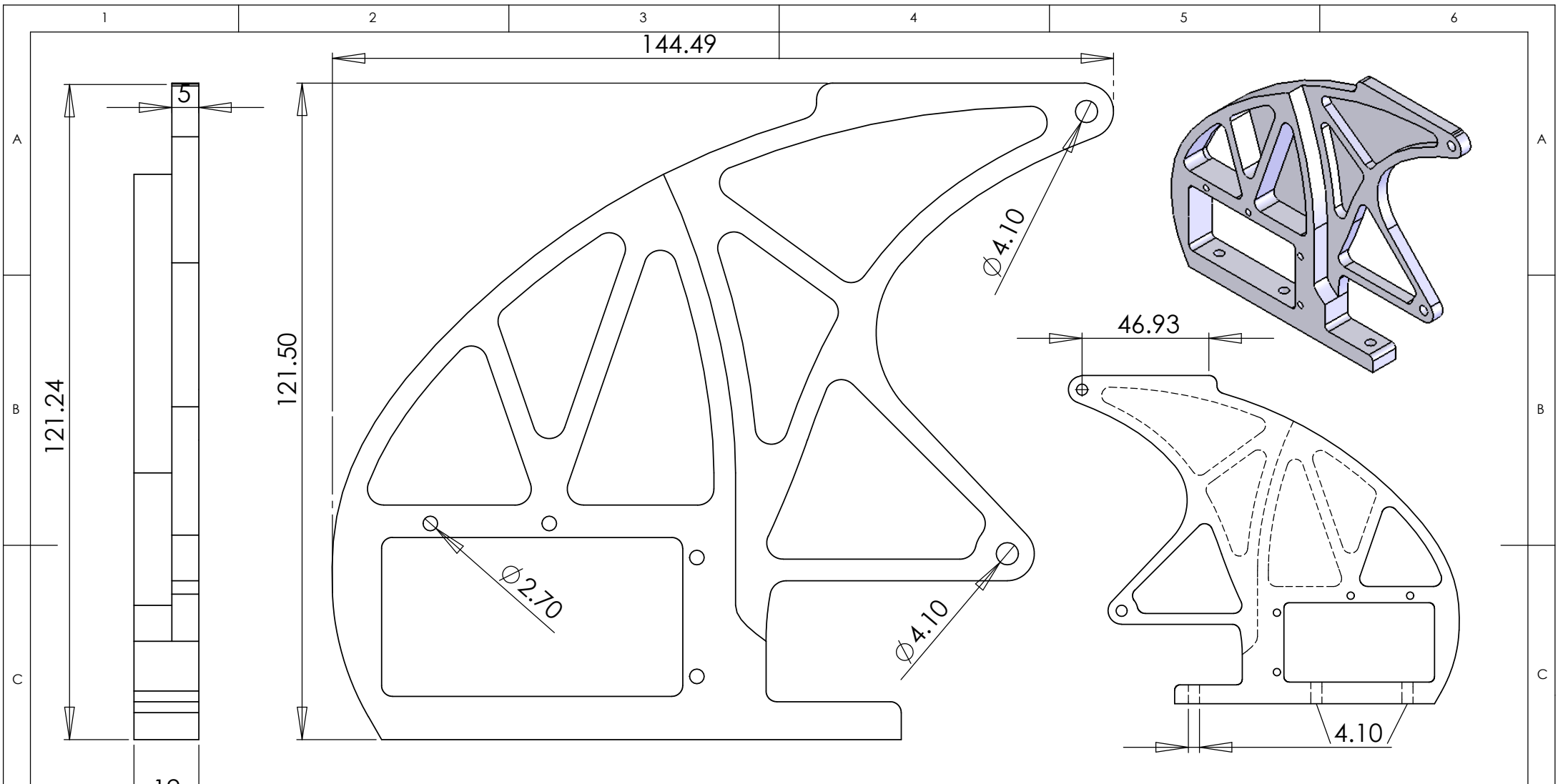


UNLESS OTHERWISE SPECIFIED: DIMENSIONS ARE IN MILLIMETERS SURFACE FINISH: TOLERANCES: LINEAR: ANGULAR:				FINISH:		DEBUR AND BREAK SHARP EDGES	
	NAME	SIGNATURE	DATE			TITLE:	
DRAWN	R.J.SANDERS		30/03/08			Rear Drive Top Plate Cover	
CHK'D	A.SMITH						
APPV'D							
MFG							
Q.A							
				MATERIAL: 1mm Aluminium Sheet		DWG NO.	
				WEIGHT:		SCALE:1:1	

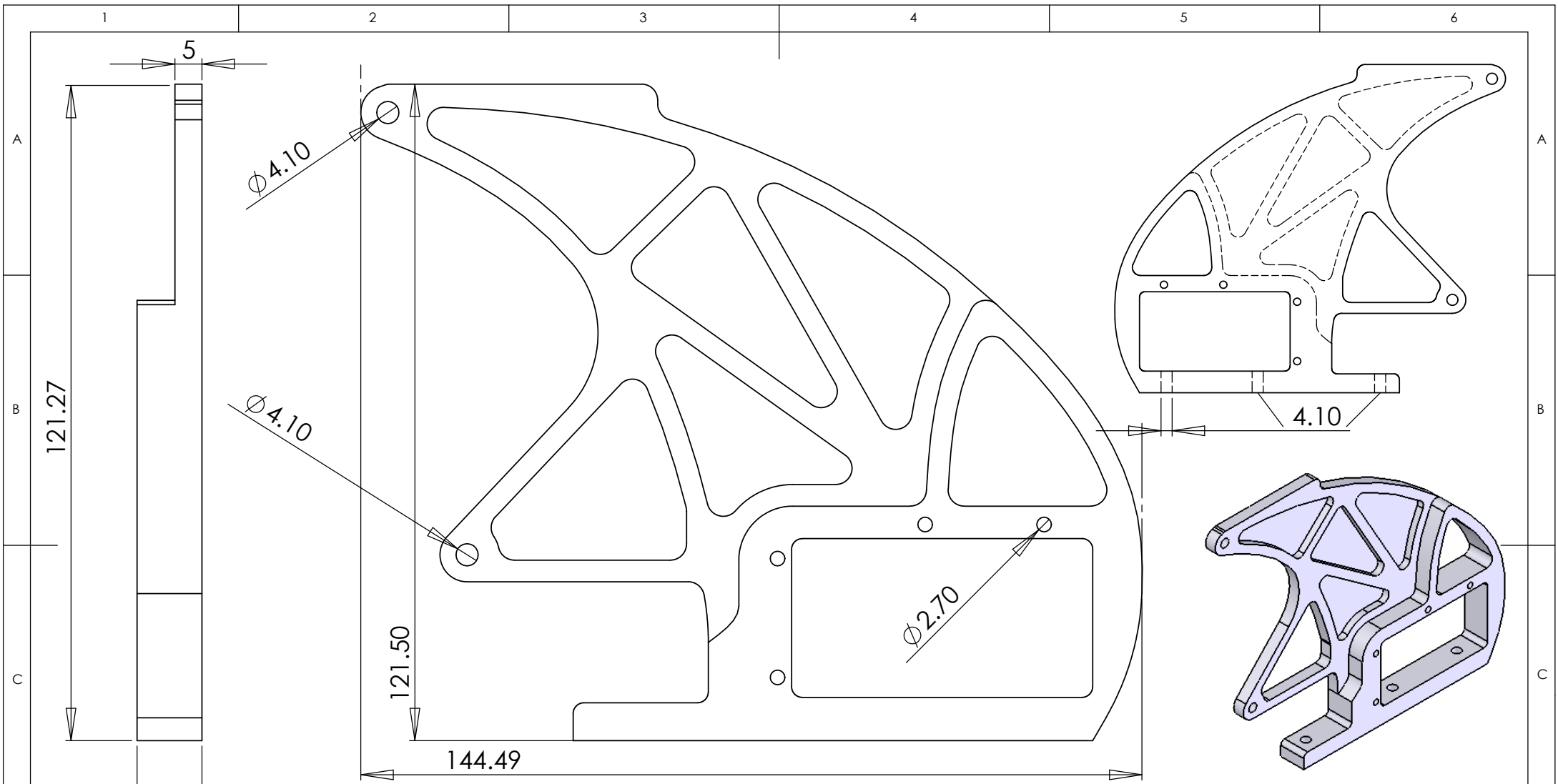
DO NOT SCALE DRAWING		REVISION	
A4			
SHEET 1 OF 1			



UNLESS OTHERWISE SPECIFIED: DIMENSIONS ARE IN MILLIMETERS				FINISH: Self Colour		DEBUR AND BREAK SHARP EDGES		DO NOT SCALE DRAWING		REVISION	
SURFACE FINISH:								2 OFF			
TOLERANCES:								TITLE:			
LINEAR:											
ANGULAR:											
	NAME	SIGNATURE	DATE								
DRAWN	R.J.Sanders		26.03.08								
CHK'D	A.J.Smith		27.03.08								
APPV'D											
MFG											
Q.A						MATERIAL:		DWG NO.		A4	
						Aluminium 6082		Roll Cage Bar			
						WEIGHT:		SCALE:1:1		SHEET 1 OF 1	



UNLESS OTHERWISE SPECIFIED: DIMENSIONS ARE IN MILLIMETERS SURFACE FINISH: TOLERANCES: LINEAR: ANGULAR:				FINISH: Self Colour		DEBUR AND BREAK SHARP EDGES		DO NOT SCALE DRAWING		REVISION		
								1 OFF				
								TITLE: Rollcage - LHS				
DRAWN R.J.Sanders				SIGNATURE		DATE 27.03.08		DWG NO.				A4
CHK'D A.J.Smith						DATE 27.03.08						
APPV'D												
MFG												
Q.A								MATERIAL: Aluminium 6082				
								WEIGHT:				
								SCALE:1:1				SHEET 1 OF 1



UNLESS OTHERWISE SPECIFIED:
 DIMENSIONS ARE IN MILLIMETERS
 SURFACE FINISH:
 TOLERANCES:
 LINEAR:
 ANGULAR:

FINISH:

DEBUR AND
 BREAK SHARP
 EDGES

DO NOT SCALE DRAWING

REVISION

1 OFF

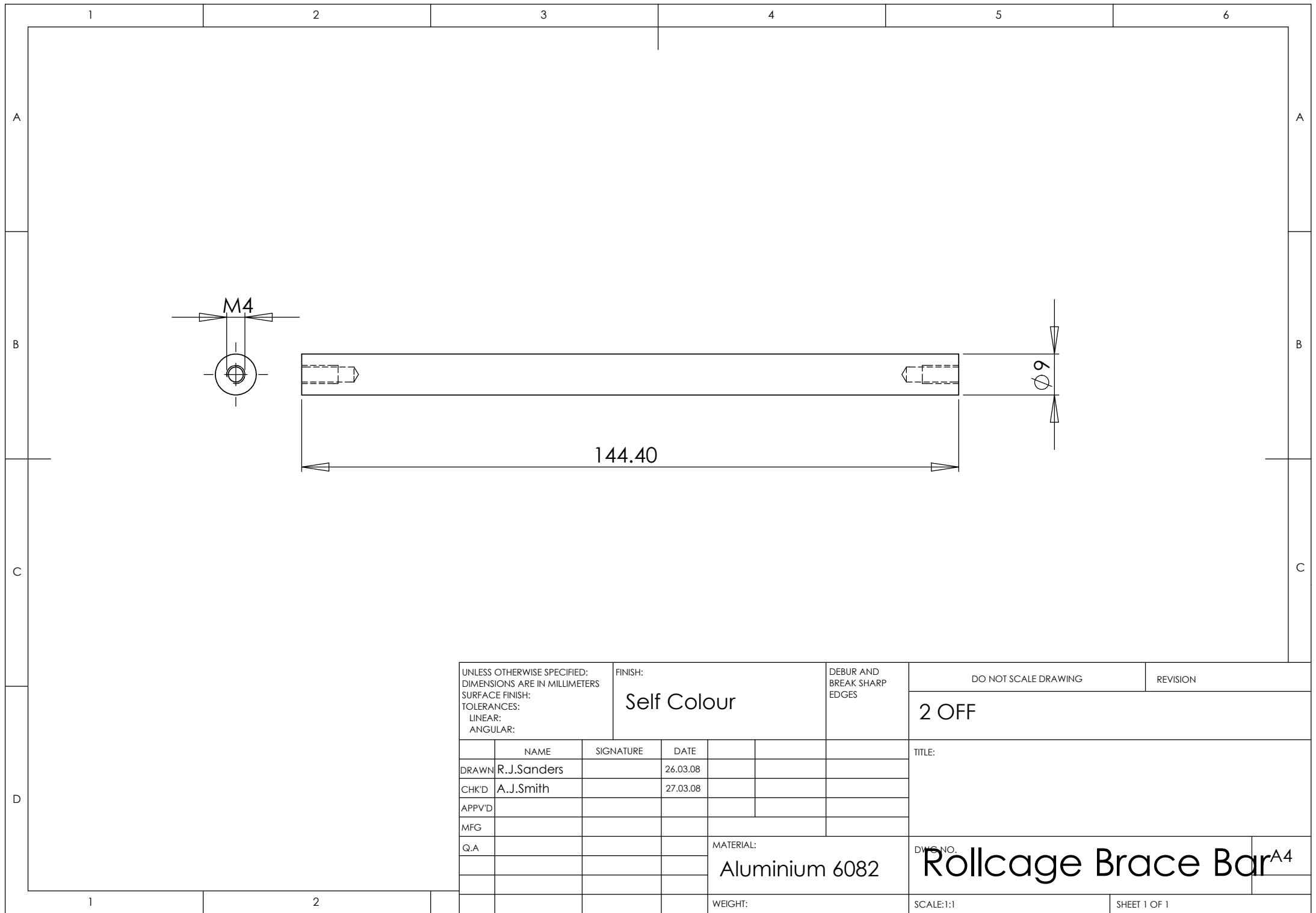
	NAME	SIGNATURE	DATE		
DRAWN	R.J.Sanders		27.03.08		
CHK'D	A.J.Smith		27.03.08		
APPV'D					
MFG					
Q.A					

TITLE:
Rollcage - RHS

DWG NO. A4

WEIGHT:

SCALE:1:1 SHEET 1 OF 1



UNLESS OTHERWISE SPECIFIED: DIMENSIONS ARE IN MILLIMETERS SURFACE FINISH: TOLERANCES: LINEAR: ANGULAR:			FINISH: Self Colour			DEBUR AND BREAK SHARP EDGES	DO NOT SCALE DRAWING		REVISION	
						2 OFF				
						TITLE:				
DRAWN	R.J.Sanders		SIGNATURE	DATE	26.03.08					
CHK'D	A.J.Smith			DATE	27.03.08					
APPV'D										
MFG										
Q.A						MATERIAL:	Aluminium 6082	DWG NO.	Rollcage Brace Bar A4	
						WEIGHT:		SCALE:1:1		SHEET 1 OF 1

1 2 3 4 5 6

A

A

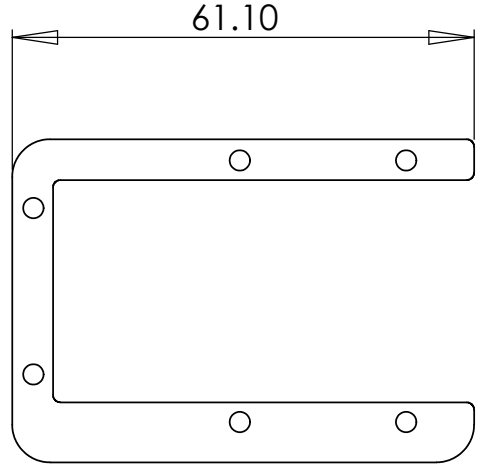
B

B

C

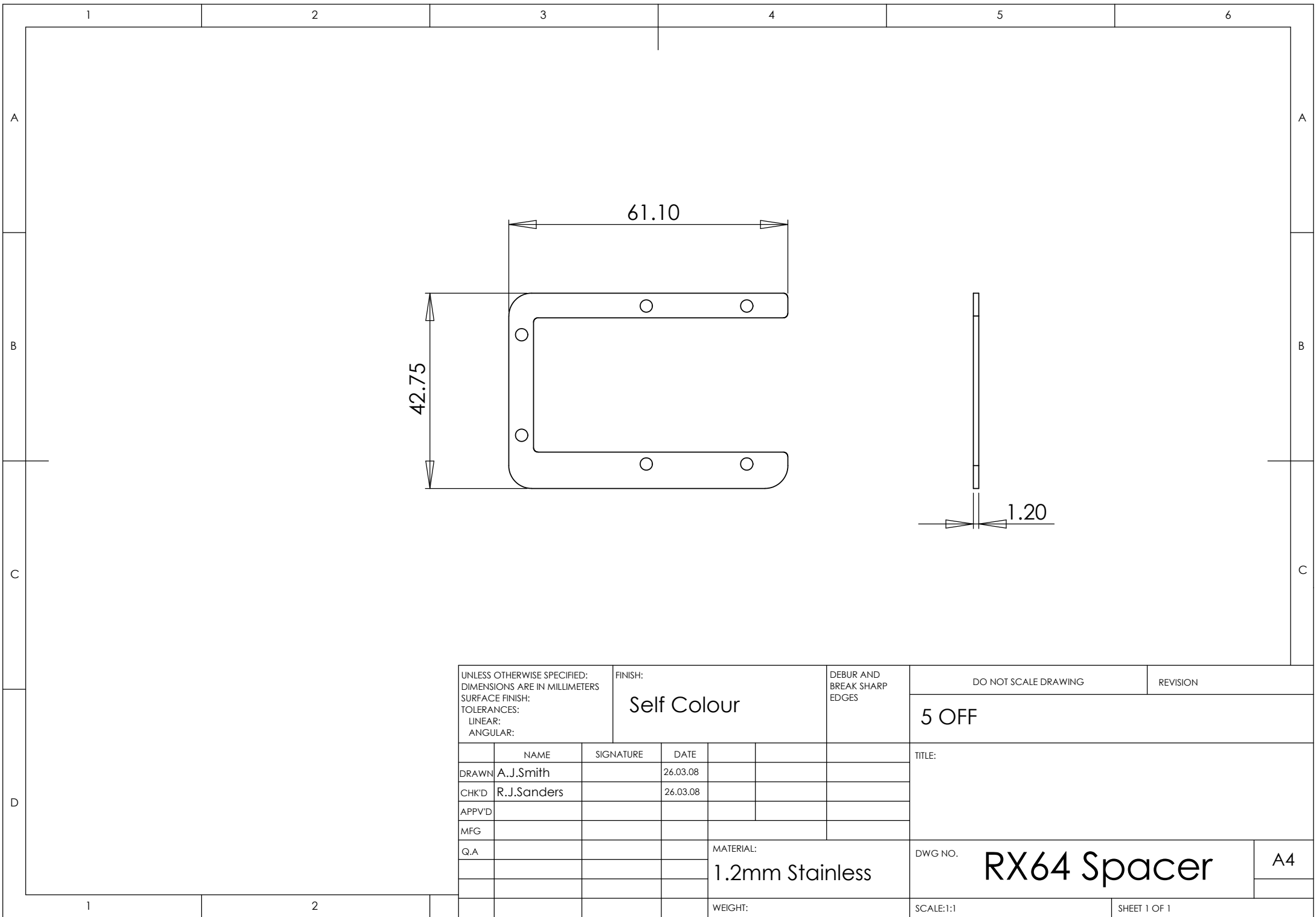
C

D



UNLESS OTHERWISE SPECIFIED: DIMENSIONS ARE IN MILLIMETERS SURFACE FINISH: TOLERANCES: LINEAR: ANGULAR:			FINISH:			DEBUR AND BREAK SHARP EDGES		DO NOT SCALE DRAWING		REVISION	
	NAME	SIGNATURE	DATE			TITLE:					
DRAWN											
CHK'D											
APPV'D											
MFG											
Q.A					MATERIAL:	DWG NO. RX64 Spacer v2				A4	
					WEIGHT:	SCALE:1:1				SHEET 1 OF 1	

1 2



UNLESS OTHERWISE SPECIFIED:
 DIMENSIONS ARE IN MILLIMETERS
 SURFACE FINISH:
 TOLERANCES:
 LINEAR:
 ANGULAR:

FINISH:
Self Colour

DEBUR AND
 BREAK SHARP
 EDGES

DO NOT SCALE DRAWING

REVISION

5 OFF

	NAME	SIGNATURE	DATE		
DRAWN	A.J.Smith		26.03.08		
CHK'D	R.J.Sanders		26.03.08		
APPV'D					
MFG					
Q.A					

TITLE:

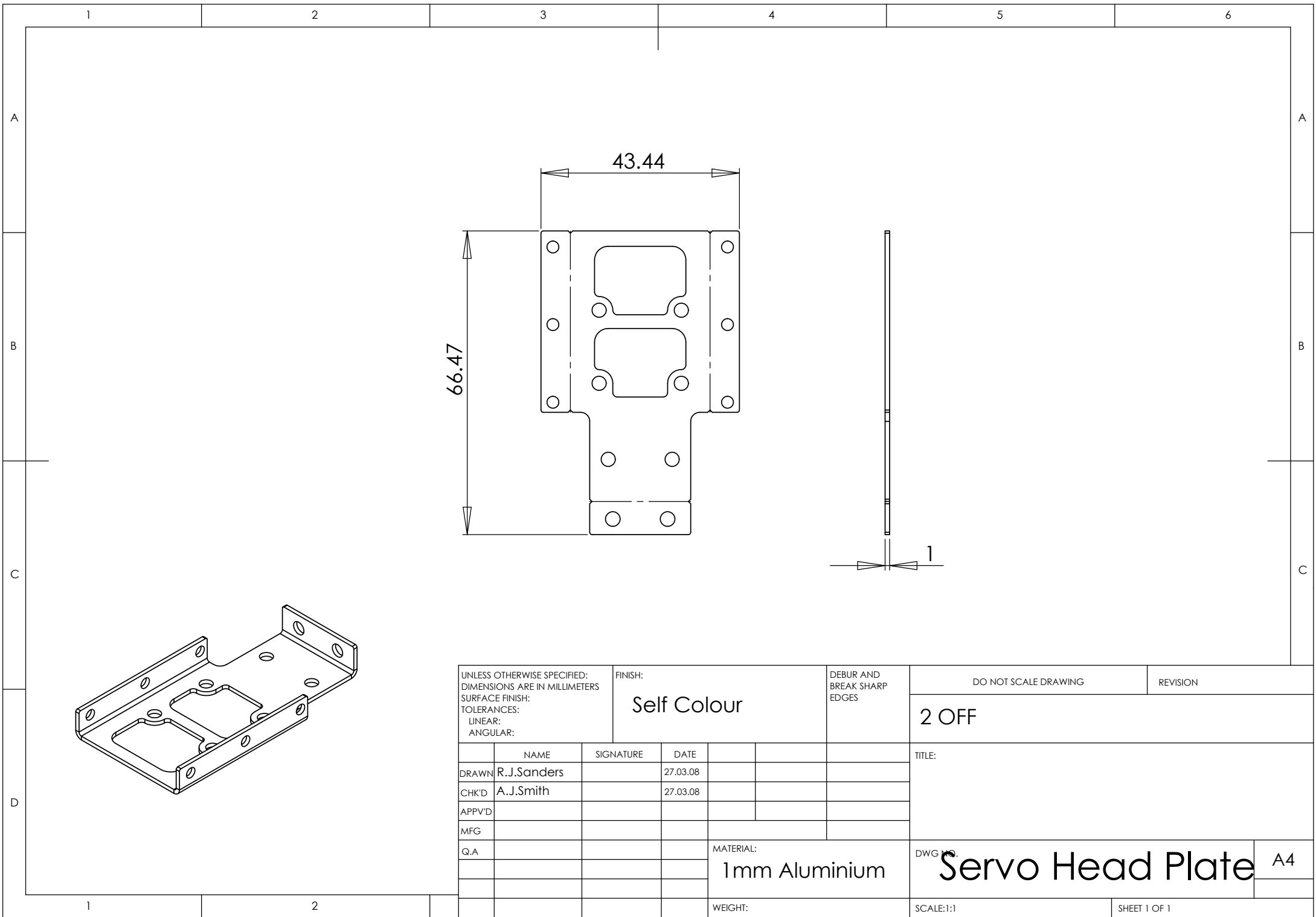
DWG NO. **RX64 Spacer**

A4

WEIGHT:

SCALE:1:1

SHEET 1 OF 1



UNLESS OTHERWISE SPECIFIED:
 DIMENSIONS ARE IN MILLIMETERS
 SURFACE FINISH:
 TOLERANCES:
 LINEAR:
 ANGULAR:

FINISH:
Self Colour

DEBUR AND
 BREAK SHARP
 EDGES

DO NOT SCALE DRAWING

REVISION

2 OFF

	NAME	SIGNATURE	DATE		
DRAWN	R.J.Sanders		27.03.08		
CHK'D	A.J.Smith		27.03.08		
APPV'D					
MFG					
Q.A					
				MATERIAL:	
				1mm Aluminium	
				WEIGHT:	

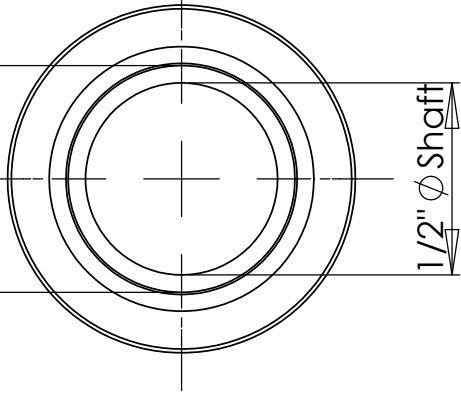
TITLE:

Servo Head Plate A4

SCALE:1:1

SHEET 1 OF 1

+0.04
 ϕ 15 E6 +0.03



1/2" ϕ Shaft

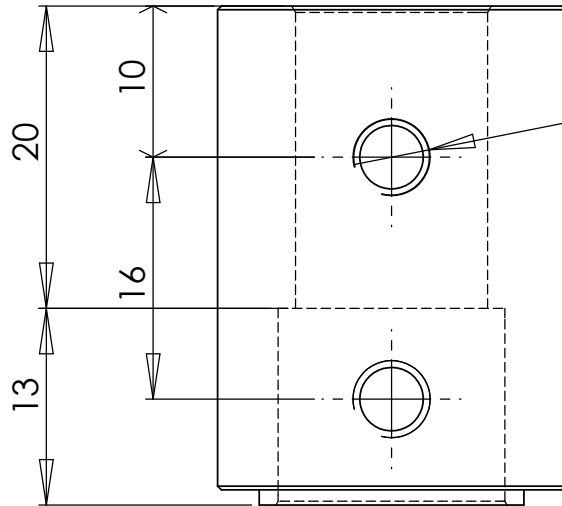
15 ϕ location to fit:
 HPCG1-20

1/2" ϕ location to fit:
 Magmotor S23-285 Shaft

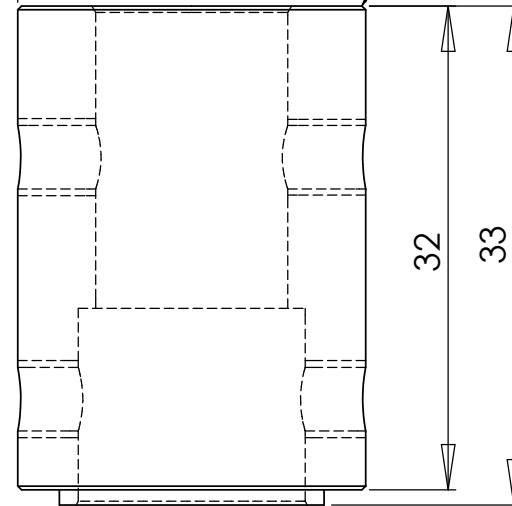
0.25mm 45° Chamfer

ϕ 23

M5 Grub screw
 through bore



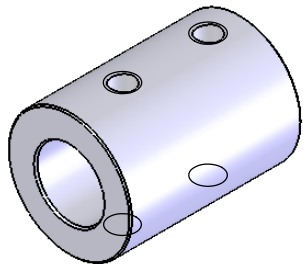
ϕ 17.50



32

33

NB: 30° chamfer lead
 into both bores



UNLESS OTHERWISE SPECIFIED:
 DIMENSIONS ARE IN MILLIMETERS
 SURFACE FINISH:
 TOLERANCES:
 LINEAR:
 ANGULAR:

FINISH:

Self Colour

DEBUR AND
 BREAK SHARP
 EDGES

DO NOT SCALE DRAWING

REVISION

2 OFF

	NAME	SIGNATURE	DATE		
DRAWN	A.J.Smith		28.01.08		
CHK'D					
APPV'D					
MFG					
Q.A					

TITLE:

MATERIAL:

Steel, EN32?

DWG NO.

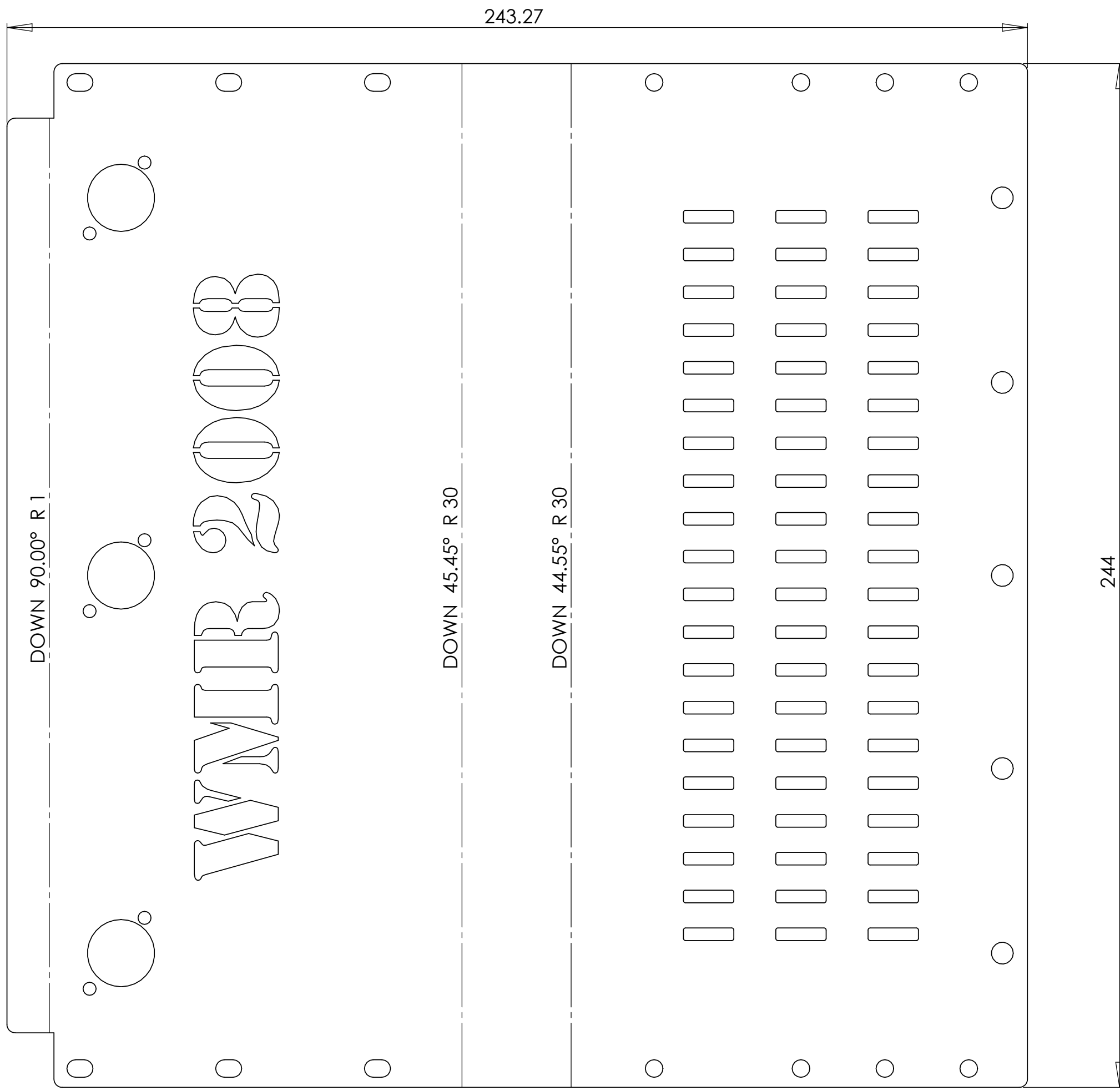
Shaft_Extension

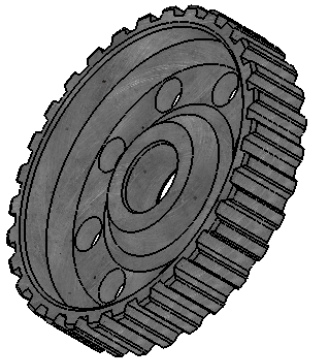
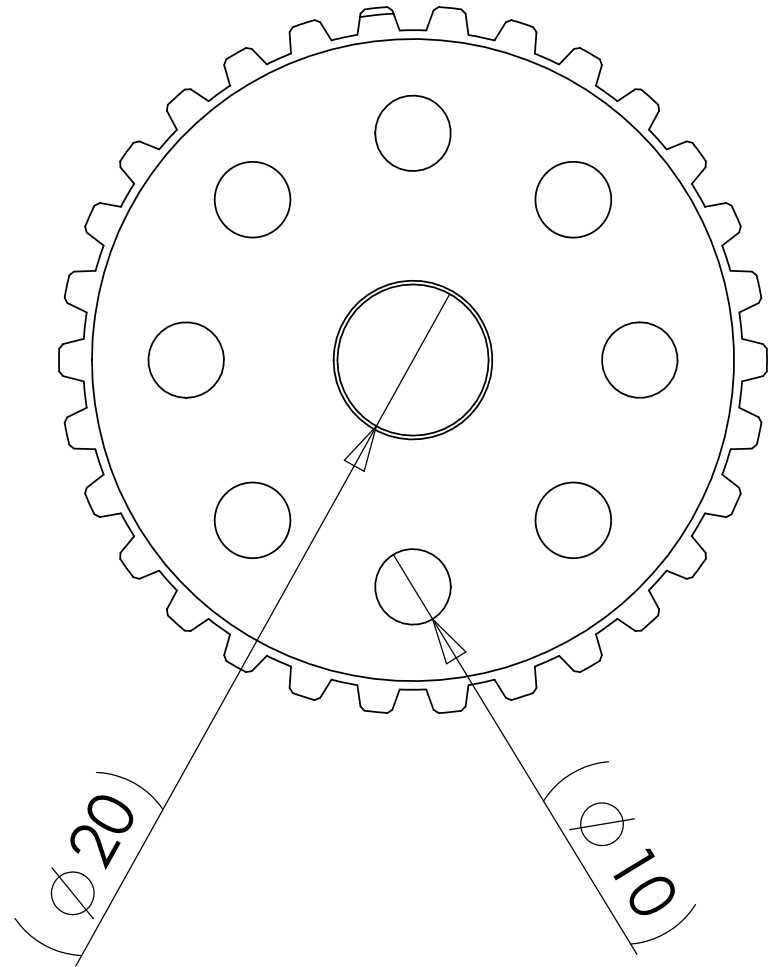
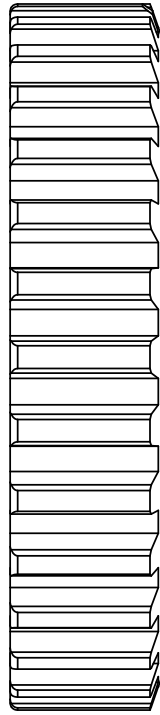
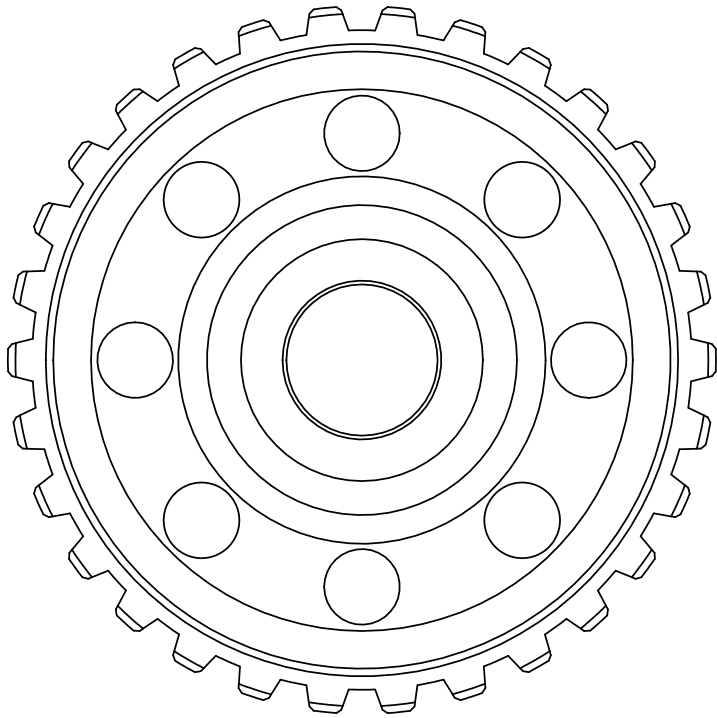
A4

WEIGHT:

SCALE:2:1

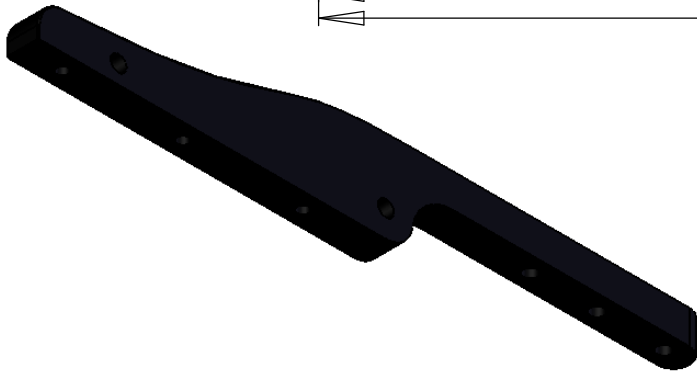
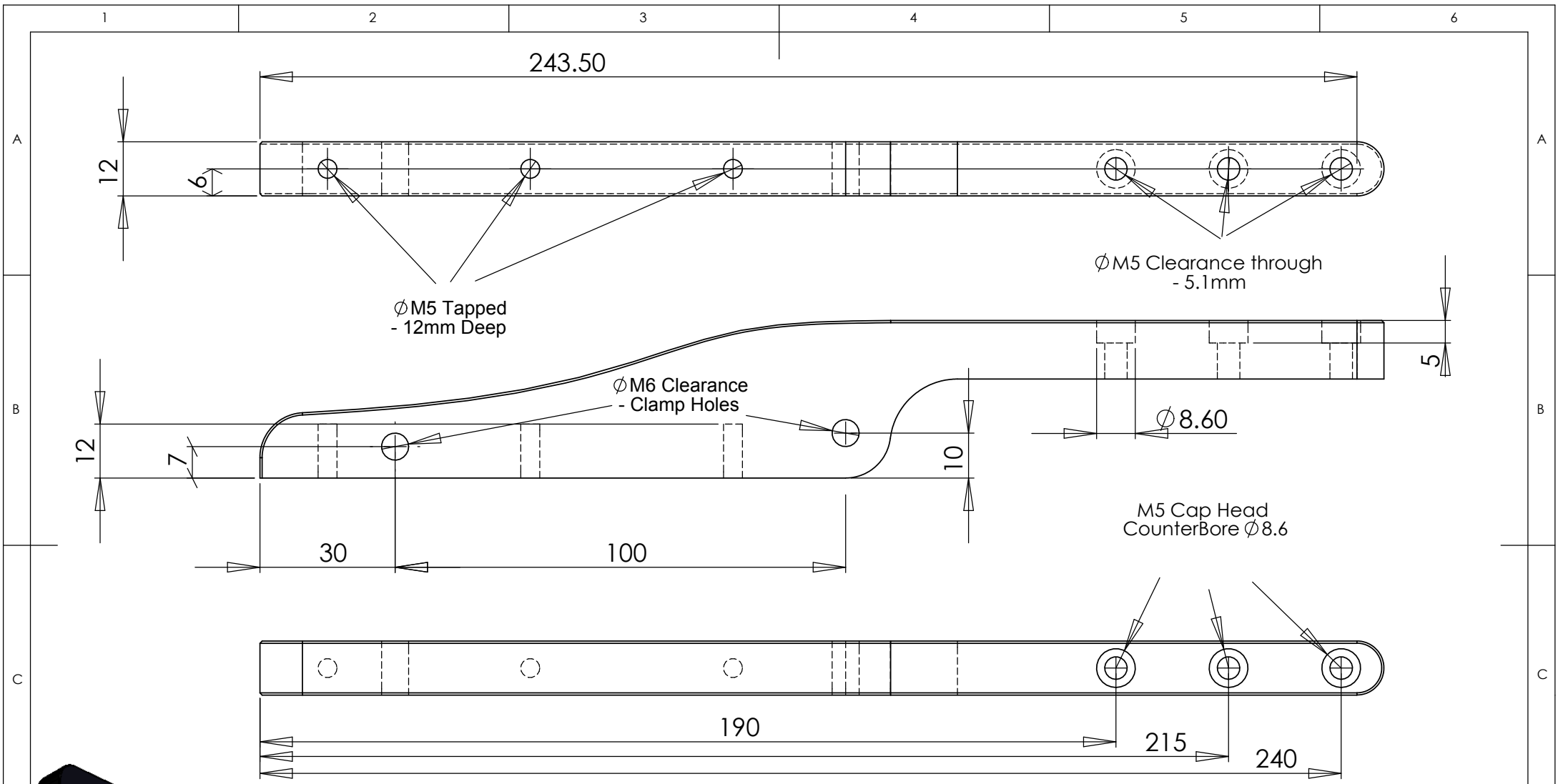
SHEET 1 OF 1





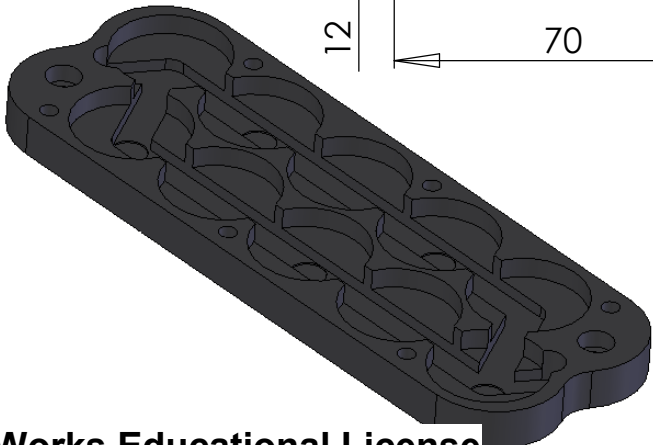
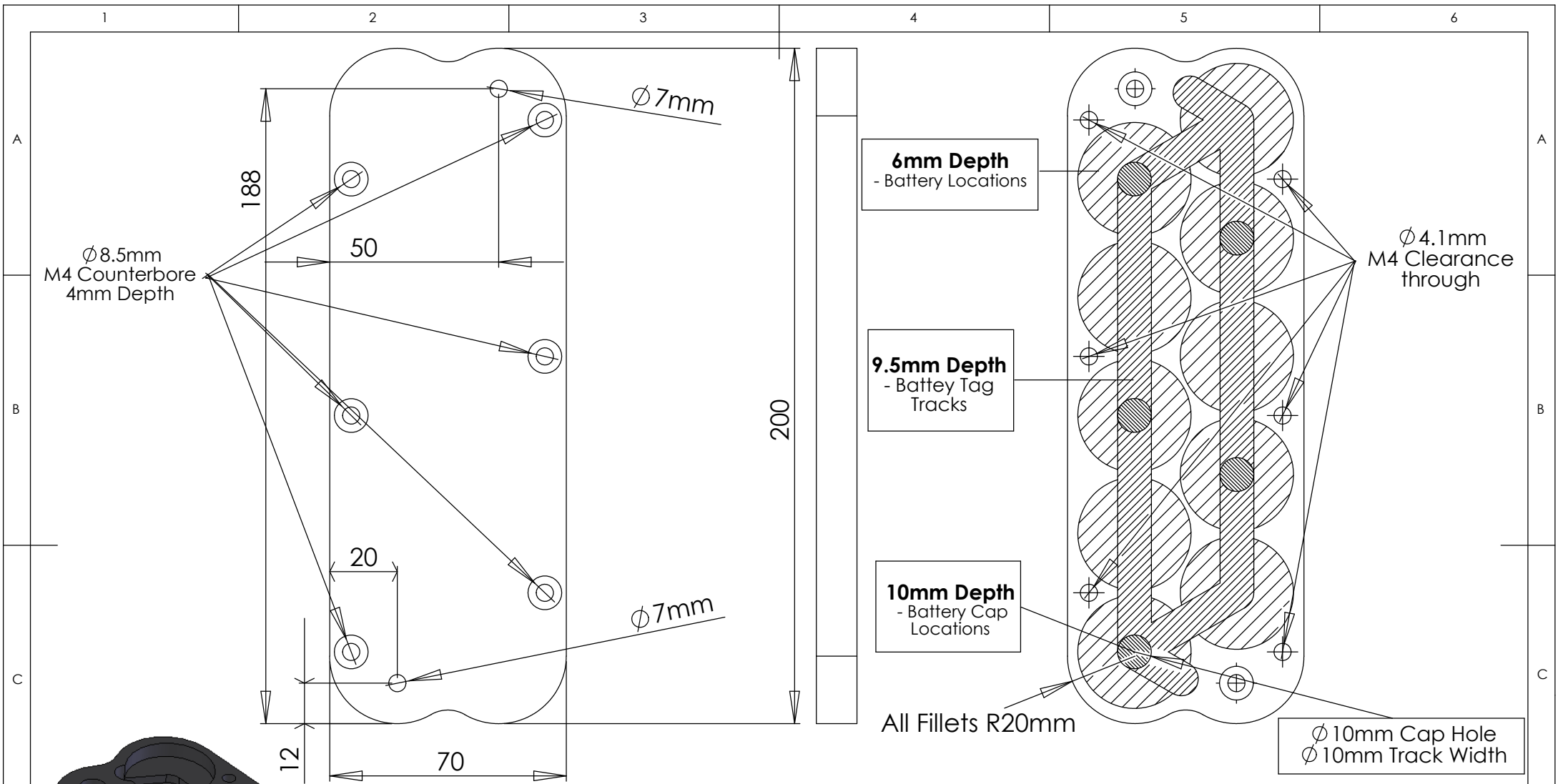
PROPRIETARY AND CONFIDENTIAL
 THE INFORMATION CONTAINED IN THIS DRAWING IS THE SOLE PROPERTY OF <INSERT COMPANY NAME HERE>. ANY REPRODUCTION IN PART OR AS A WHOLE WITHOUT THE WRITTEN PERMISSION OF <INSERT COMPANY NAME HERE> IS PROHIBITED.

		DIMENSIONS ARE IN INCHES TOLERANCES: FRACTIONAL ± ANGULAR: MACH ± BEND ± TWO PLACE DECIMAL ± THREE PLACE DECIMAL ±		NAME	DATE	<COMPANY NAME>
		MATERIAL				
		FINISH		COMMENTS:		
NEXT ASSY	USED ON					SIZE A
APPLICATION		DO NOT SCALE DRAWING				DWG. NO.
						REV.
						SCALE:1:2
						WEIGHT:
						SHEET 1 OF 1

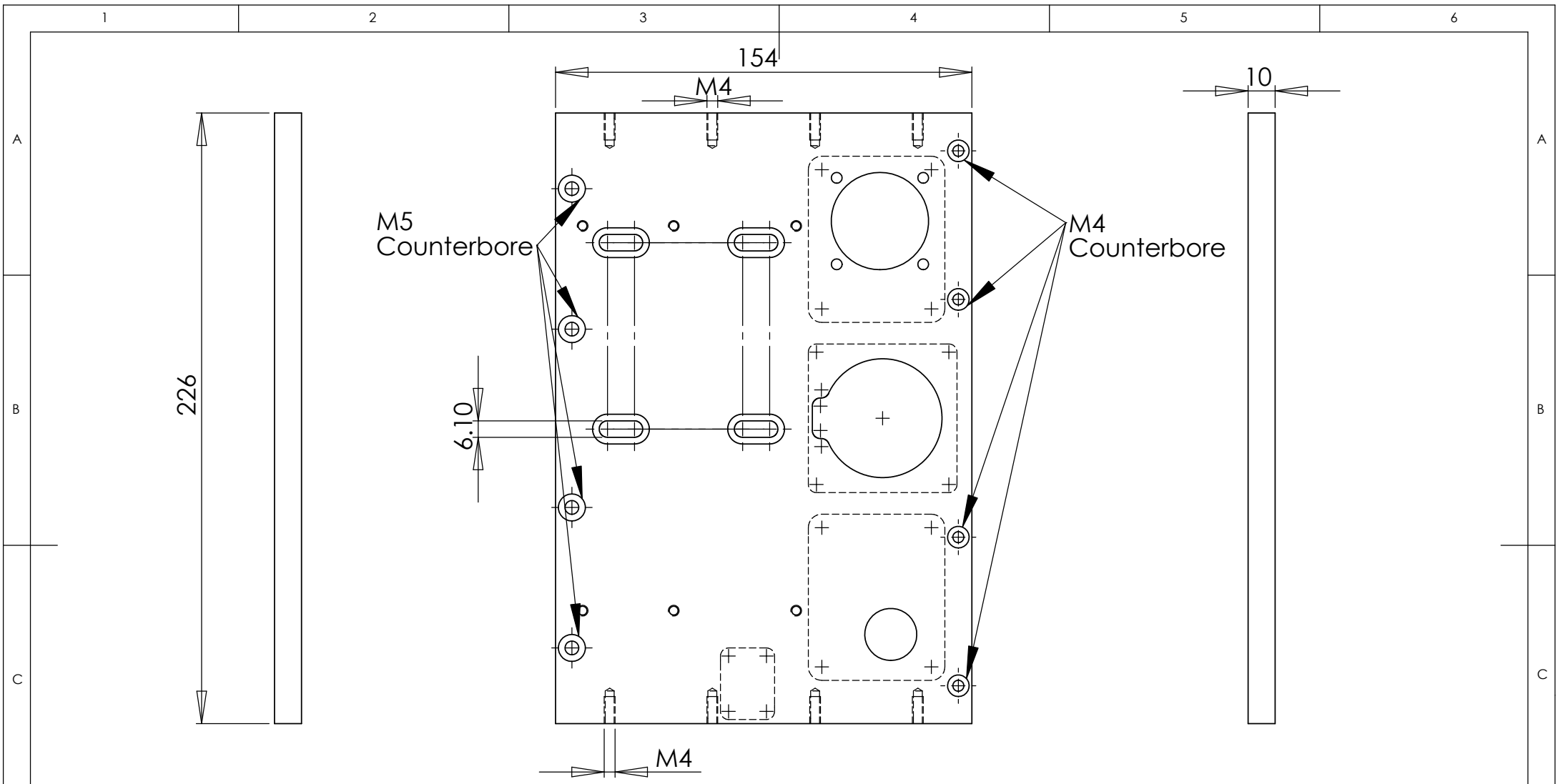


UNLESS OTHERWISE SPECIFIED: DIMENSIONS ARE IN MILLIMETERS SURFACE FINISH: TOLERANCES: LINEAR: ANGULAR:				FINISH:		DEBUR AND BREAK SHARP EDGES		DO NOT SCALE DRAWING		REVISION	
								4 OFF			
								Top Arm			
								TITLE:		DWG NO.	
								MATERIAL: Aluminium 6082		A4	
								WEIGHT:		SCALE:1:1 SHEET 1 OF 1	

	NAME	SIGNATURE	DATE
DRAWN	R.J.Sanders		2/2/2008
CHK'D			
APPV'D			
MFG			
Q.A			



UNLESS OTHERWISE SPECIFIED: DIMENSIONS ARE IN MILLIMETERS SURFACE FINISH: TOLERANCES: LINEAR: ANGULAR:				FINISH:		DEBUR AND BREAK SHARP EDGES		DO NOT SCALE DRAWING		REVISION	
2 OFF											
								TITLE: WRONG Top Battery Casing			
				MATERIAL: Perspex				DWG NO.		A4	
				WEIGHT:				SCALE:1:1		SHEET 1 OF 1	



UNLESS OTHERWISE SPECIFIED: DIMENSIONS ARE IN MILLIMETERS		FINISH: Self Colour		DEBUR AND BREAK SHARP EDGES		DO NOT SCALE DRAWING		REVISION	
SURFACE FINISH:						1 OFF			
TOLERANCES:									
LINEAR:									
ANGULAR:									
	NAME	SIGNATURE	DATE			TITLE:			
DRAWN	A.J.Smith		18.02.08						
CHK'D									
APPV'D									
MFG									
Q.A						MATERIAL:			
						Aluminium 6082 - T6			
						MATERIAL:			
						Aluminium 6082 - T6			
						WEIGHT:			
						SCALE:1:2		SHEET 1 OF 1	
						DWG NO.		Top plate	
								A4	